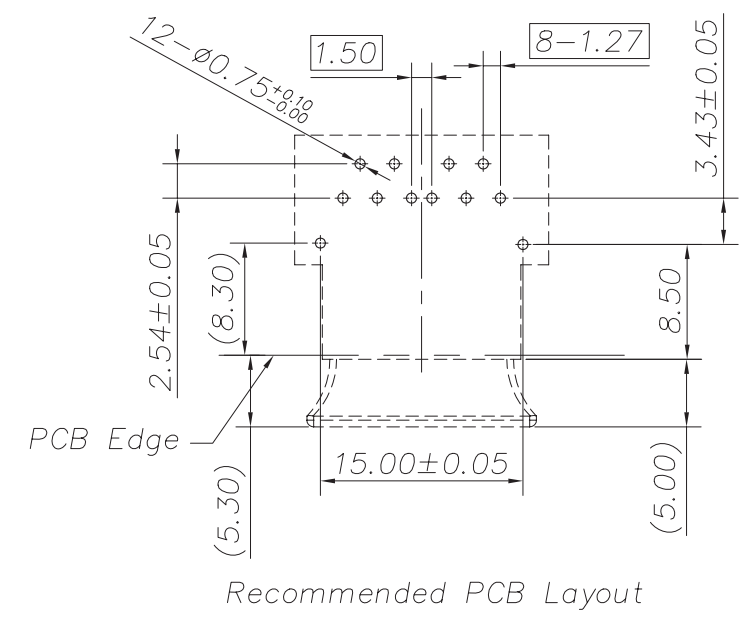
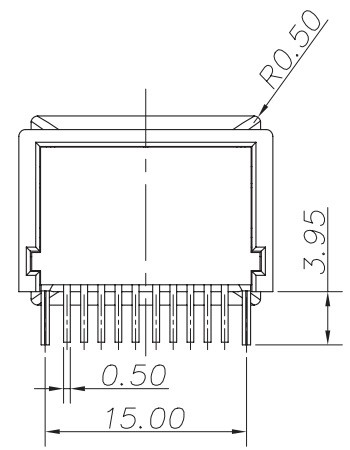
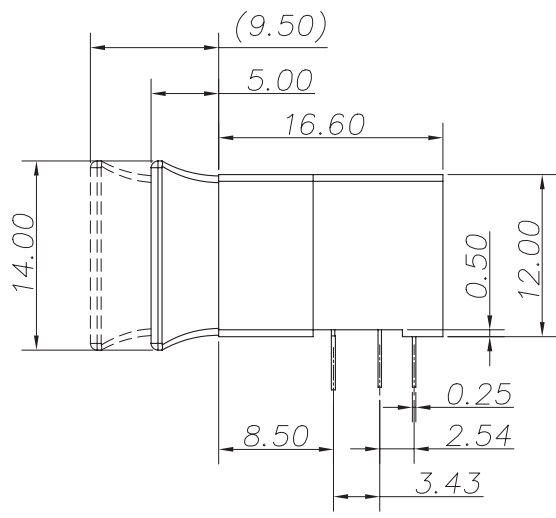
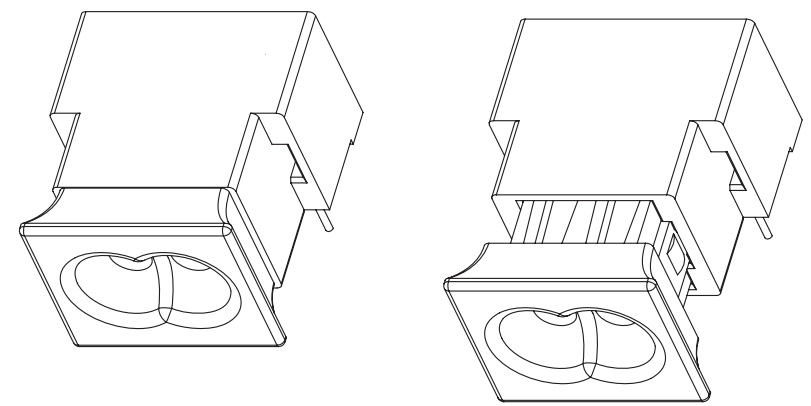
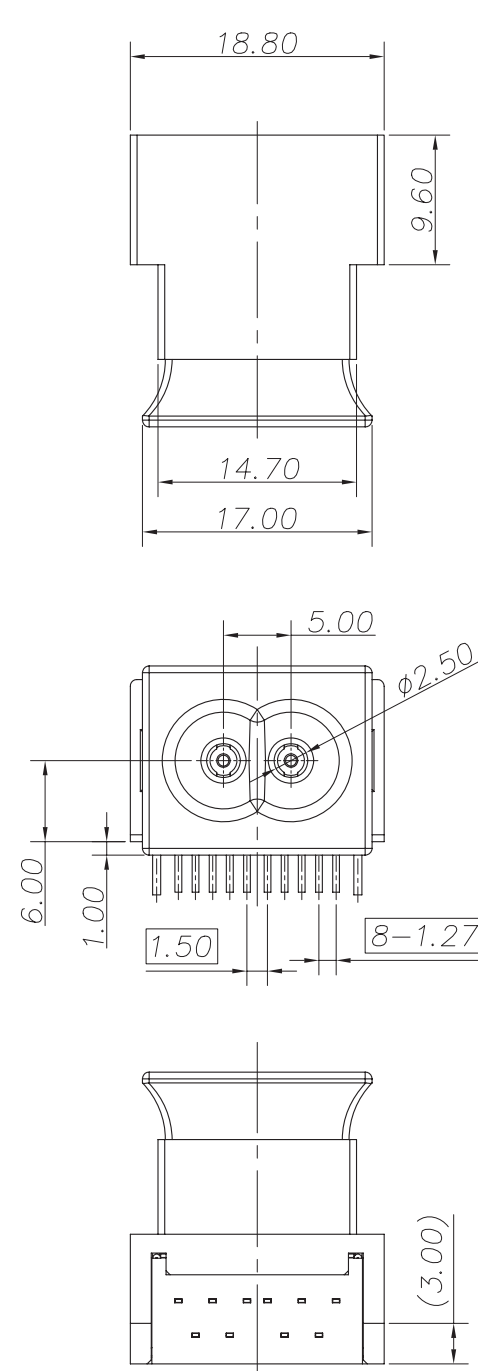


REV	ECN	DESCRIPTION	DATE	DRAWN	APPROVED
1		Initial Release	06/6/11	jld	FLiburdi

RoHS

Notes:

- Material :
 Outer Housing: Thermoplastic 30%G.F. Black. UL94V-0
 Inner Housing: Thermoplastic 30%G.F. Black. UL94V-0
 Back Cover: Thermoplastic 30%G.F. Black. UL94V-0
 Metal Shell : Copper Alloy.
- Product Must Conform to RoHS.

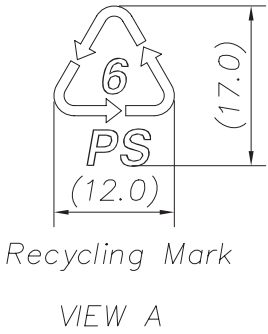
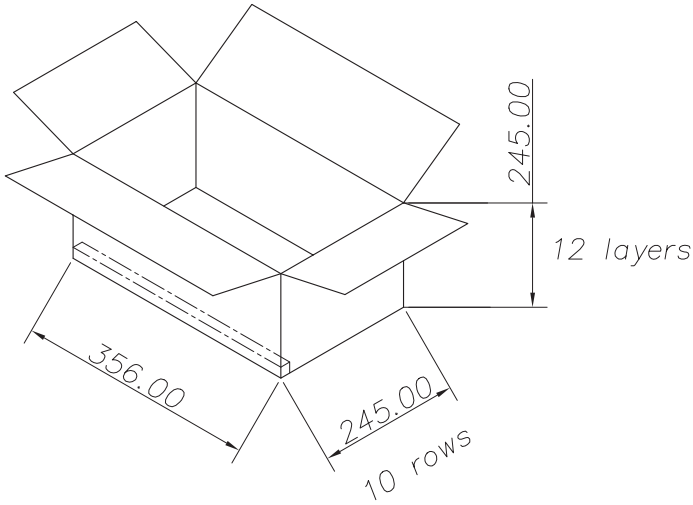
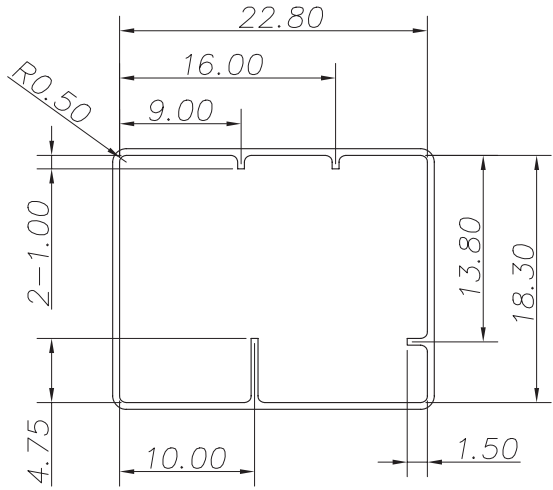
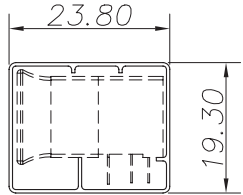
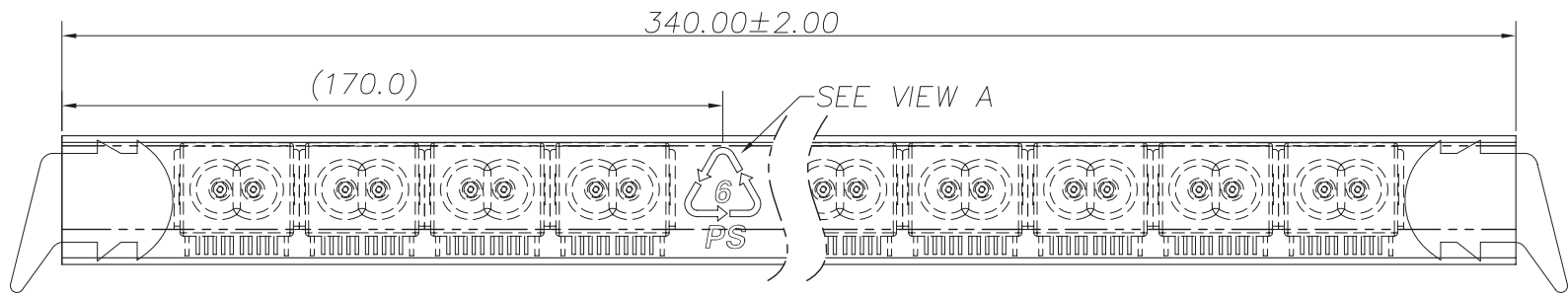


ElectronicLinks international inc		UNLESS OTHERWISE NOTED: DIMENSIONS IN MM		OPTOLOCK POF TRANSCEIVER FOR ETHERNET R/A			
THIS DOCUMENT SHALL NOT BE REPRODUCED, NOR SHALL THE INFORMATION CONTAINED HEREIN BE USED OR DISCLOSED TO OTHERS EXCEPT AS AUTHORIZED IN WRITING BY ELECTRONIC LINKS INTERNATIONAL, INC.		MATERIAL: MATERIAL					
DESIGNED BY:	DESIGNER	DES(DATE)	ANGLES \pm	ANGLES	SIZE	REV LEVEL	PART NO.
CHECKED BY:	CHECKER	CHK(DATE)	EDGE/ CORNER BREAKS	OUTSIDE MAX.	OS_MAX	REV_LEVEL	ELII-OLKD-X-E-XXXX
APPROVED BY:	APPROVAL	APP(DATE)	INSIDE MAX.	IS_MAX	SCALE	SCALE	SHEET 1 of 8

REV	ECN	DESCRIPTION	DATE	DRAWN	APPROVED
1		Initial Release	06/6/11	jld	FLiburdi

RoHS

- Notes:
1. Material: Transparent PS
(Recycling material)
 2. Thickness: 0.50mm
 3. Recycling mark print color: Blue
 4. The tube must pass the electrostatic discharge process



Recycling Mark
VIEW A

Package:

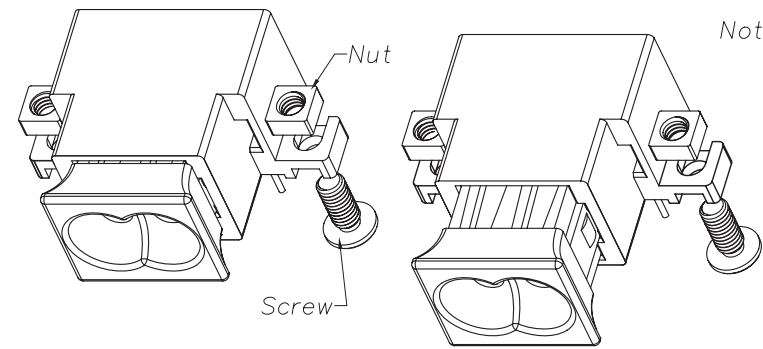
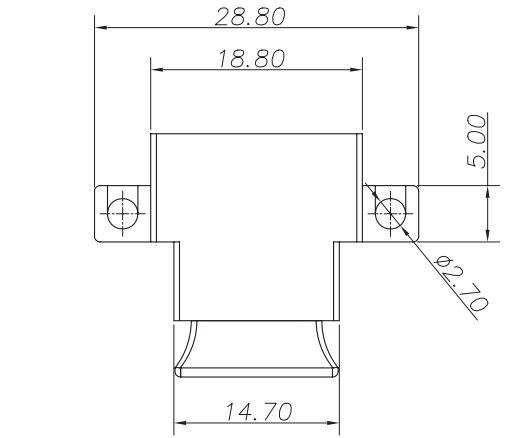
Item	Quantity	Total	Size (L*W*H)
Tube	16 pcs	16 pcs	340*23.8*19.3
Carton	120 tube/ carton	1920 pcs	356*245*245

ElectronicLinks international inc		UNLESS OTHERWISE NOTED: DIMENSIONS IN MM		OPTOLOCK POF TRANSCEIVER FOR ETHERNET R/A			
THIS DOCUMENT SHALL NOT BE REPRODUCED, NOR SHALL THE INFORMATION CONTAINED HEREIN BE USED OR DISCLOSED TO OTHERS EXCEPT AS AUTHORIZED IN WRITING BY ELECTRONIC LINKS INTERNATIONAL, INC.		MATERIAL: MATERIAL					
DESIGNED BY: DESIGNER DES(DATE)		FINISH: FINISH		C	REV_LEVEL	ELII-OLKD-X-E-EXXXX	
CHECKED BY: CHECKER CHK(DATE)		LINEAR: 1_PL_TOL 2_PL_TOL 3_PL_TOL 4_PL_TOL		EDGE/ CORNER BREAKS	SCALE	SHEET 2 of 8	
APPROVED BY: APPROVAL APP(DATE)		ANGLES ± ANGLES		OUTSIDE MAX. OS_MAX	SCALE		
				INSIDE MAX. IS_MAX			

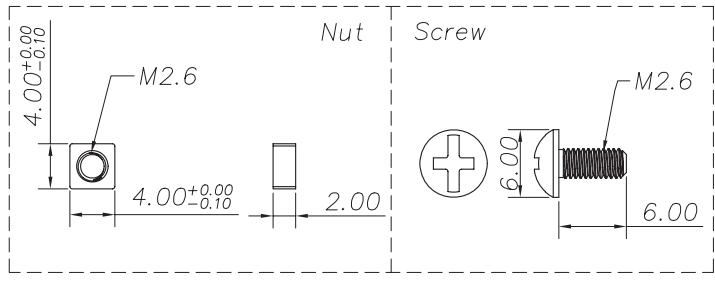
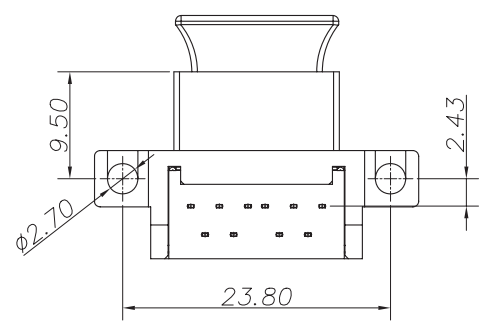
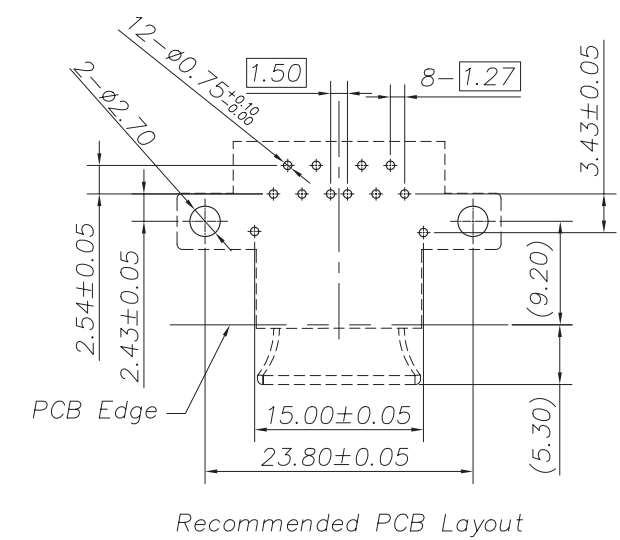
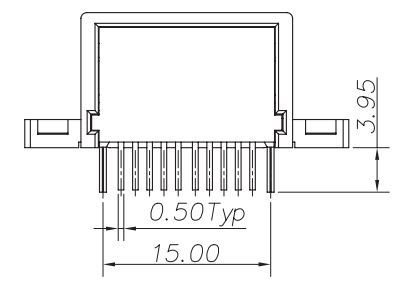
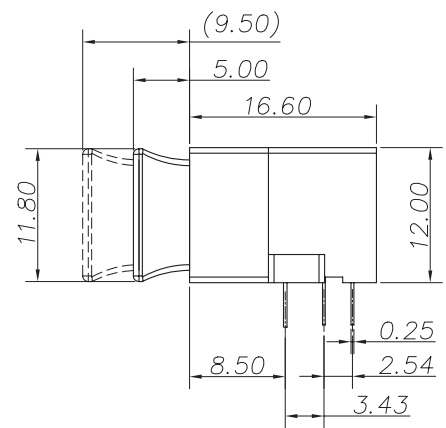
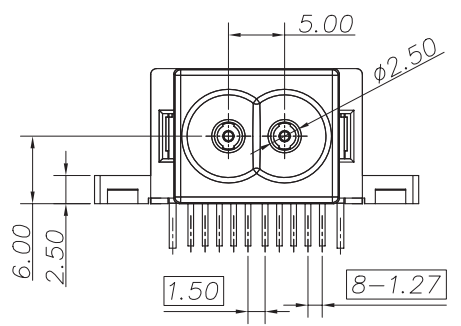
REV	ECN	DESCRIPTION	DATE	DRAWN	APPROVED
1		Initial Release	06/6/11	jld	FLiburdi

RoHS

CUSTOMER COPY



- Notes:
- Material :
 Outer Housing: Thermoplastic 30%G.F. Black. UL94V-0
 Inner Housing: Thermoplastic 30%G.F. Black. UL94V-0
 Back Cover: Thermoplastic 30%G.F. Black. UL94V-0
 Metal Shell : Copper Alloy.
 - Product Must Conform to RoHS.



ElectronicLinks international inc		UNLESS OTHERWISE NOTED: DIMENSIONS IN MM		OPTOLOCK POF TRANSCEIVER FOR ETHERNET R/A WITH LOCATION SCREW			
THIS DOCUMENT SHALL NOT BE REPRODUCED, NOR SHALL THE INFORMATION CONTAINED HEREIN BE USED OR DISCLOSED TO OTHERS EXCEPT AS AUTHORIZED IN WRITING BY ELECTRONIC LINKS INTERNATIONAL, INC.		MATERIAL: MATERIAL					
DESIGNED BY:	DESIGNER	DES(DATE)	ANGLES ±	ANGLES	SIZE	REV LEVEL	SCALE
CHECKED BY:	CHECKER	CHK(DATE)	EDGE/ CORNER BREAKS	OUTSIDE MAX.	OS_MAX	REV_LEVEL	SCALE
APPROVED BY:	APPROVAL	APP(DATE)	INSIDE MAX.	IS_MAX	C	SCALE	SHEET 3 of 8

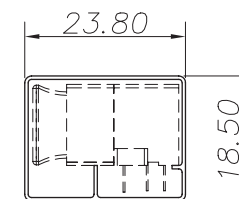
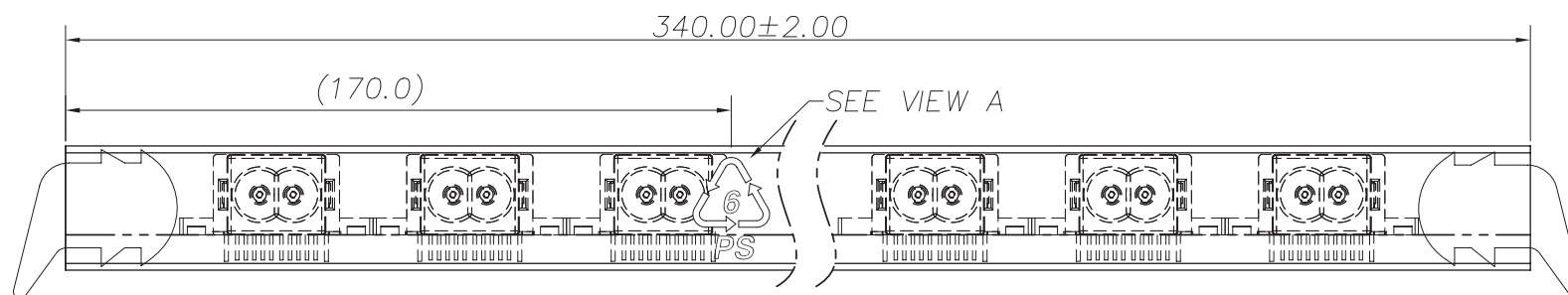
REV	ECN	DESCRIPTION	DATE	DRAWN	APPROVED
1		Initial Release	06/6/11	jld	FLiburdi

CUSTOMER COPY

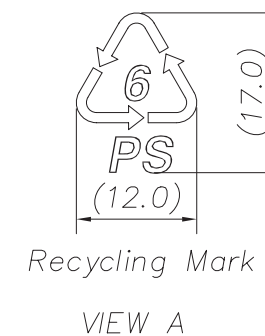
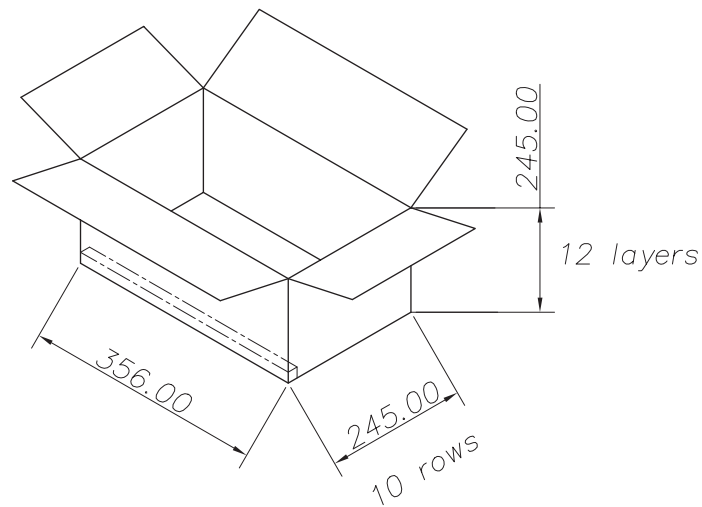
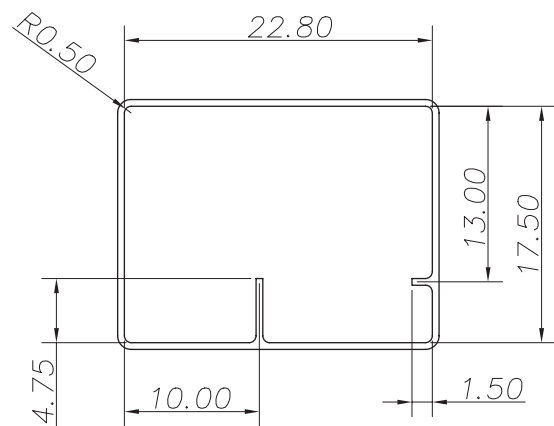
RoHS

Notes:

1. Material: Transparent PS
(Recycling material)
2. Thickness: 0.50mm
3. Recycling mark print color: Blue
4. The tube must pass the electrostatic discharge process



10pcs/tube



Package:

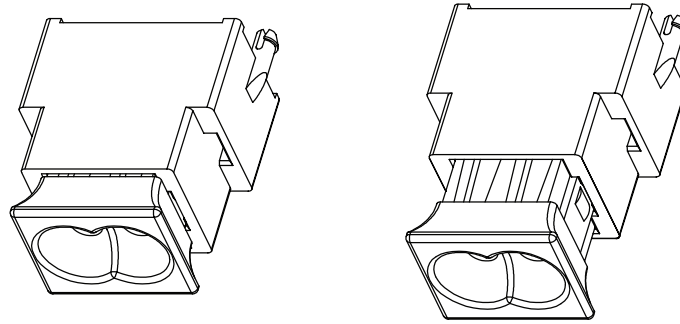
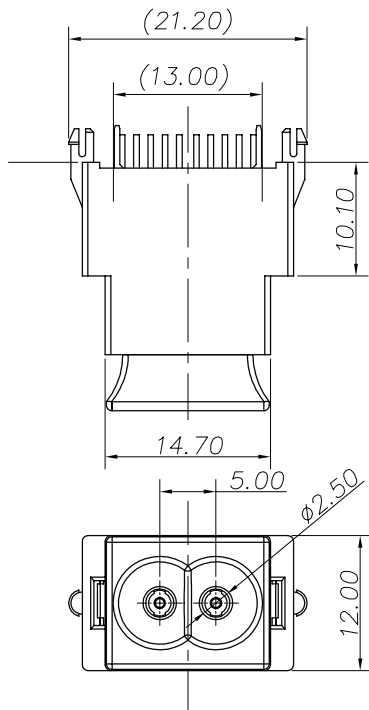
Item	Quantity	Total	Size (L*W*H)
Tube	10 pcs	10 pcs	340*23.8*18.5
Carton	120 tube/ carton	1200 pcs	356*245*245

ElectronicLinks international inc		UNLESS OTHERWISE NOTED: DIMENSIONS IN MM		OPTOLOCK POF TRANSCEIVER FOR ETHERNET R/A WITH LOCATION SCREW			
THIS DOCUMENT SHALL NOT BE REPRODUCED, NOR SHALL THE INFORMATION CONTAINED HEREIN BE USED OR DISCLOSED TO OTHERS EXCEPT AS AUTHORIZED IN WRITING BY ELECTRONIC LINKS INTERNATIONAL, INC.		MATERIAL: MATERIAL					
DESIGNED BY:	DESIGNER	DES(DATE)	LINEAR	1_PL_TOL	2_PL_TOL	3_PL_TOL	4_PL_TOL
CHECKED BY:	CHECKER	CHK(DATE)	EDGES/ CORNER BREAKS	ANGLES ±	ANGLES	SIZE	REV LEVEL
APPROVED BY:	APPROVAL	APP(DATE)	OUTSIDE MAX.	OS_MAX	INSIDE MAX.	IS_MAX	REV_LEVEL
				SCALE	SCALE	SHEET 4 of 8	

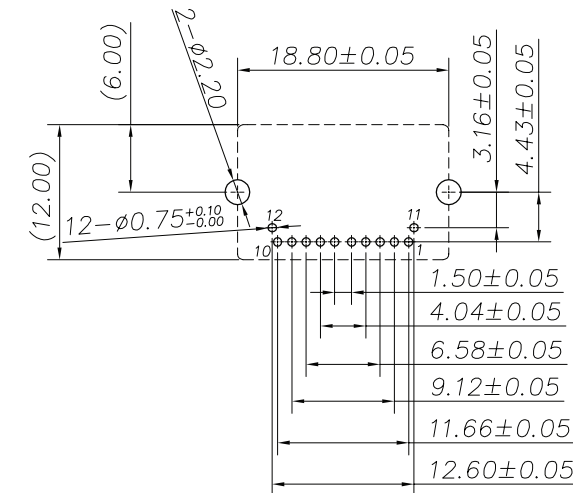
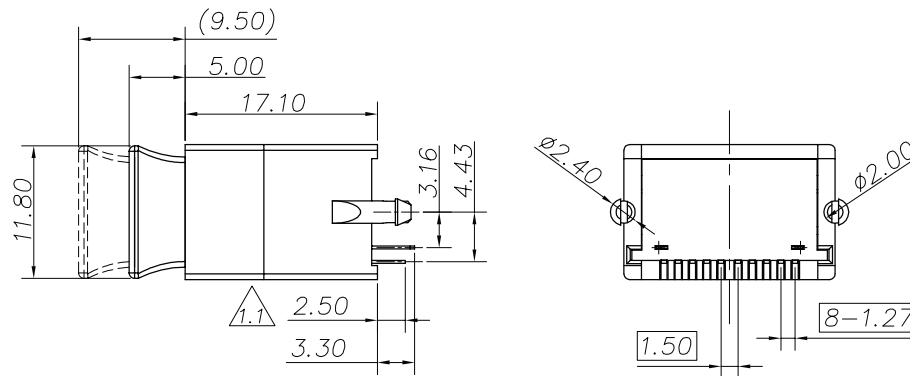
REV	ECN	DESCRIPTION	DATE	DRAWN	APPROVED
1		Initial Release	06/6/11	jld	FLiburdi

RoHS

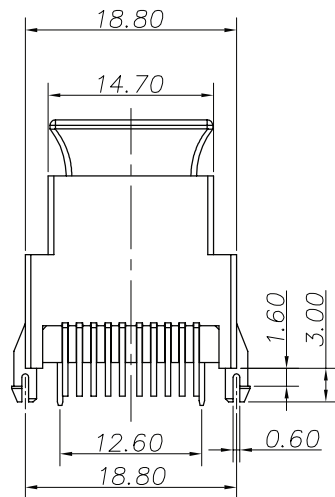
CUSTOMER COPY



Notes:
 1) Material :
 Outer Housing: Thermoplastic 30%G.F. Black. UL94V-0
 Inner Housing: Thermoplastic 30%G.F. Black. UL94V-0
 Back Cover: Thermoplastic 30%G.F. Black. UL94V-0
 Metal Shell : Copper Alloy.
 2) Product Must Conform to RoHS.



Recommended PCB Layout



RoHS

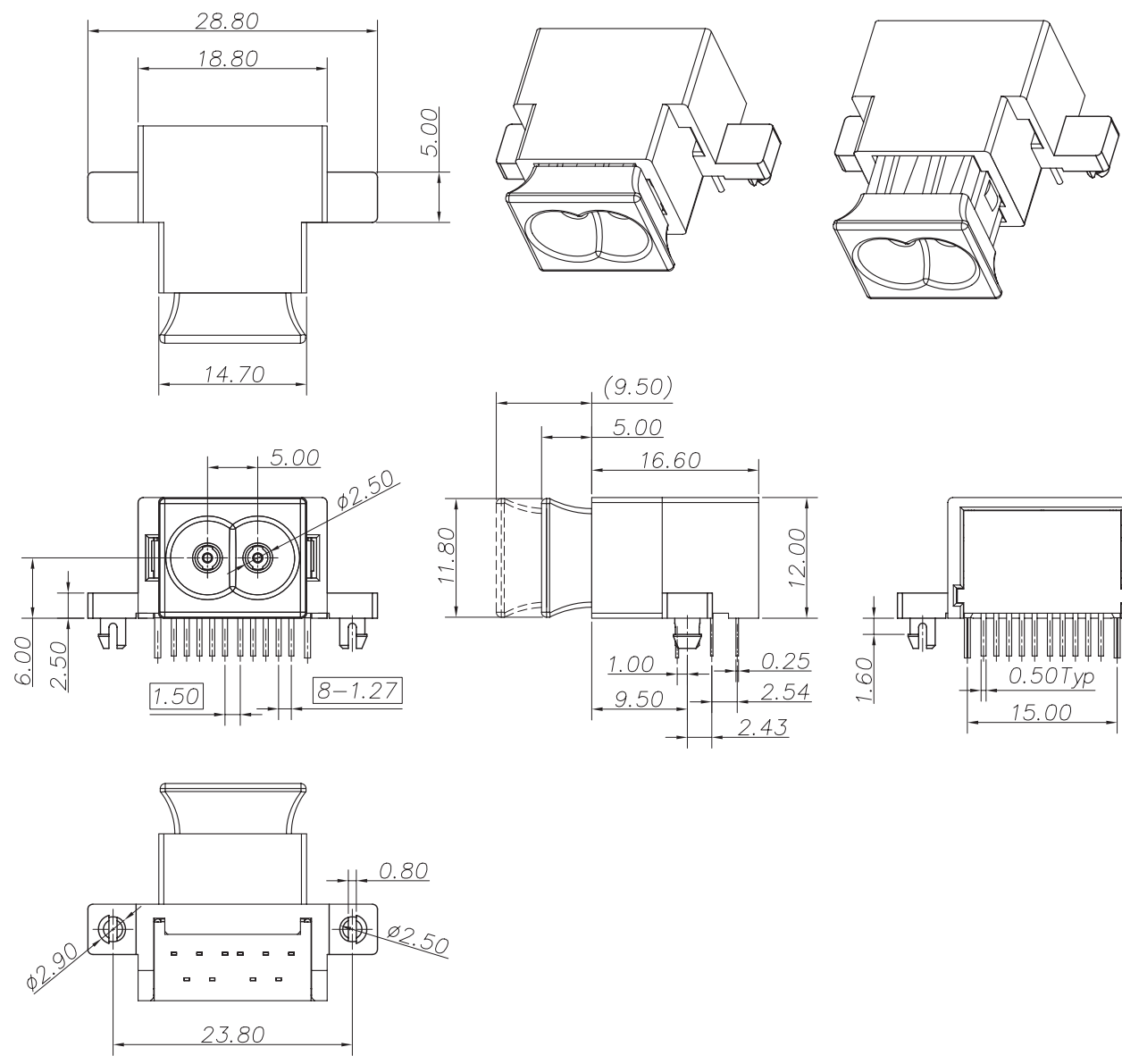
PinNO.	Symbol
1	RD+
2	RD-
3	SD
4	GND
5	Vcc
6	Rex
7	Vcc
8	GND
9	TD+
10	TD-
11	Metal Shielding
12	Metal Shielding

ElectronicLinks international inc		UNLESS OTHERWISE NOTED: DIMENSIONS IN MM		OPTOLOCK POF TRANSCEIVER FOR ETHERNET TOP ENTRY			
THIS DOCUMENT SHALL NOT BE REPRODUCED, NOR SHALL THE INFORMATION CONTAINED HEREIN BE USED OR DISCLOSED TO OTHERS EXCEPT AS AUTHORIZED IN WRITING BY ELECTRONIC LINKS INTERNATIONAL, INC.		MATERIAL: MATERIAL					
DESIGNED BY:	DESIGNER	DES(DATE)	ANGLES ±	ANGLES	SIZE	REV LEVEL	PART NO.
CHECKED BY:	CHECKER	CHK(DATE)	EDGE/ CORNER BREAKS	OUTSIDE MAX.	OS_MAX	REV_LEVEL	ELII-OLKD-X-E-XXXX
APPROVED BY:	APPROVAL	APP(DATE)	INSIDE MAX.	IS_MAX	SCALE	SCALE	SHEET 5 of 8

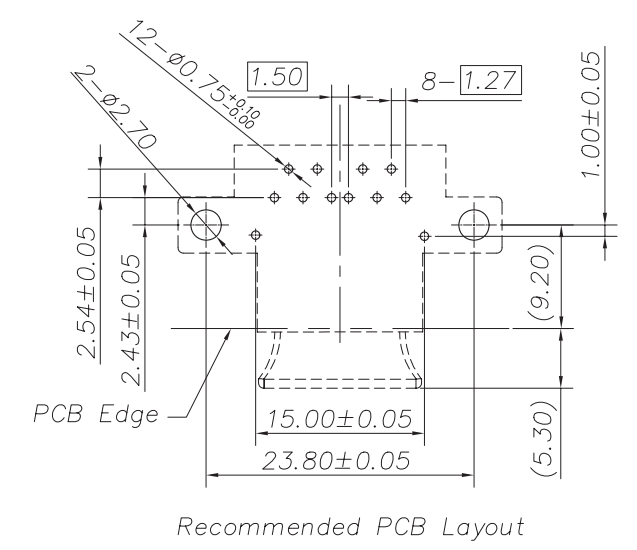
REV	ECN	DESCRIPTION	DATE	DRAWN	APPROVED
1		Initial Release	06/6/11	jld	FLiburdi

RoHS

CUSTOMER COPY



Notes:
 1) Material :
 Outer Housing: Thermoplastic 30%G.F. Black. UL94V-0
 Inner Housing: Thermoplastic 30%G.F. Black. UL94V-0
 Back Cover: Thermoplastic 30%G.F. Black. UL94V-0
 Metal Shell : Copper Alloy.
 2) Product Must Conform to RoHS.



ElectronicLinks international inc		UNLESS OTHERWISE NOTED: DIMENSIONS IN MM		OPTOLOCK POF TRANSCEIVER FOR ETHERNET R/A WITH LOCATION PEG			
THIS DOCUMENT SHALL NOT BE REPRODUCED, NOR SHALL THE INFORMATION CONTAINED HEREIN BE USED OR DISCLOSED TO OTHERS EXCEPT AS AUTHORIZED IN WRITING BY ELECTRONIC LINKS INTERNATIONAL, INC.		MATERIAL: MATERIAL					
DESIGNED BY: DESIGNER DES(DATE)		FINISH: FINISH		C	REV_LEVEL	ELII-OLKD-X-E-XXXX	
CHECKED BY: CHECKER CHK(DATE)		LINEAR: 1_PL_TOL 2_PL_TOL 3_PL_TOL 4_PL_TOL		SCALE	SCALE	SHEET 6 of 8	
APPROVED BY: APPROVAL APP(DATE)		EDGE/ CORNER BREAKS		OUTSIDE MAX. OS_MAX	INSIDE MAX. IS_MAX		

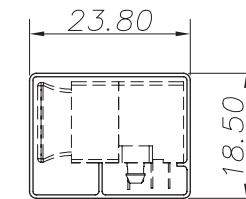
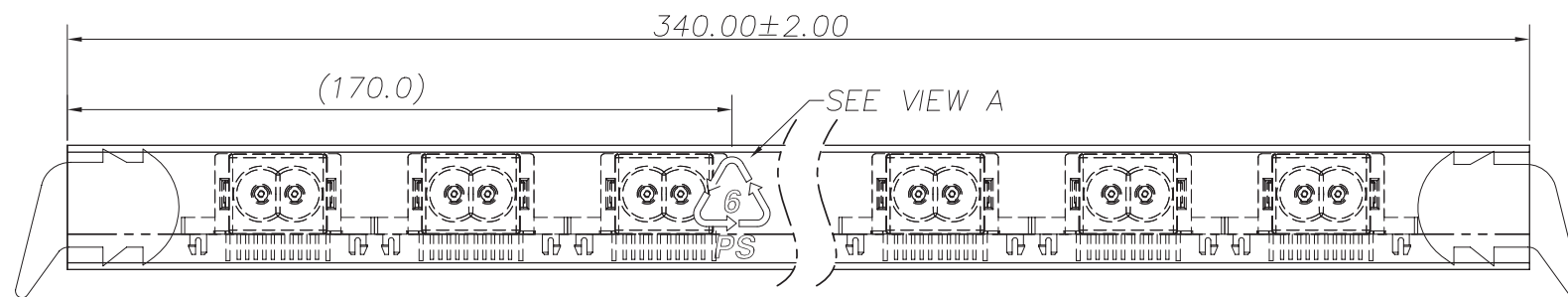
REV	ECN	DESCRIPTION	DATE	DRAWN	APPROVED
1		Initial Release	06/6/11	jld	FLiburdi

CUSTOMER COPY

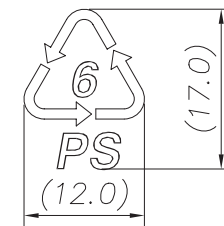
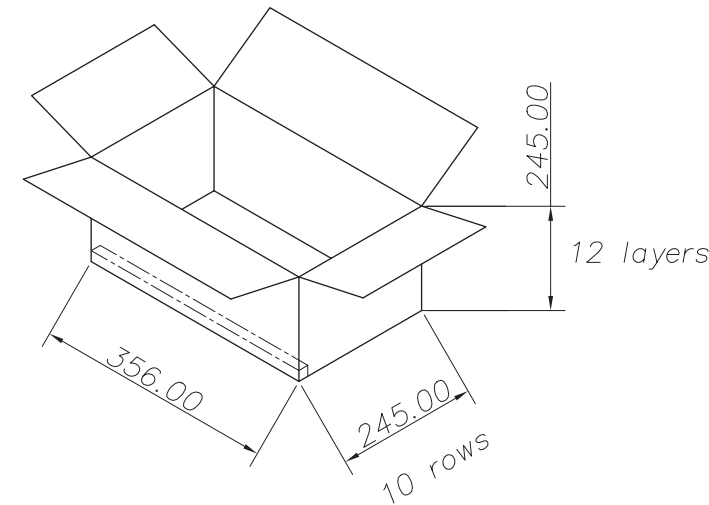
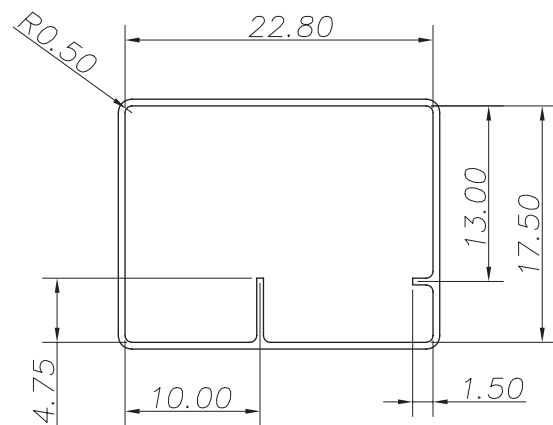
RoHS

Notes:

1. Material: Transparent PS
(Recycling material)
2. Thickness: 0.50mm
3. Recycling mark print color: Blue
4. The tube must pass the electrostatic discharge process



10pcs/tube



Recycling Mark
VIEW A

Package:

Item	Quantity	Total	Size (L*W*H)
Tube	10 pcs	10 pcs	340*23.8*18.5
Carton	120 tube/ carton	1200 pcs	356*245*245

ElectronicLinks international inc		UNLESS OTHERWISE NOTED: DIMENSIONS IN MM		OPTOLOCK POF TRANSCEIVER FOR ETHERNET R/A WITH LOCATION PEG			
THIS DOCUMENT SHALL NOT BE REPRODUCED, NOR SHALL THE INFORMATION CONTAINED HEREIN BE USED OR DISCLOSED TO OTHERS EXCEPT AS AUTHORIZED IN WRITING BY ELECTRONIC LINKS INTERNATIONAL, INC.		MATERIAL: MATERIAL					
DESIGNED BY: DESIGNER DES(DATE)		FINISH: FINISH		C	REV_LEVEL	ELII-OLKD-X-E-XXXX	
CHECKED BY: CHECKER CHK(DATE)		LINEAR: 1_PL_TOL 2_PL_TOL 3_PL_TOL 4_PL_TOL		SCALE	SCALE	SHEET 7 of 8	
APPROVED BY: APPROVAL APP(DATE)		EDGE/ CORNER BREAKS		OUTSIDE MAX. OS_MAX	INSIDE MAX. IS_MAX		

REV	ECN	DESCRIPTION	DATE	DRAWN	APPROVED
1		Initial Release	06/6/11	jld	FLiburdi

RoHS

Order Information

ELII - OLKD X - E - E X X X X

(1) (2) (3) (4) (5) (6)

ELII OLKDX series: Optolock POF transceiver module

(1) Data Rate Mode:

*B: S200 for 1394

*D: S800 for 1394

*E: 100 Mbps for Ethernet

(2) Function Type:

*A: Analogy type

*D: Digital type

*E: Ethernet type (100Mbps)

(3) Construction Type:

*R: Right angle contacts (DIP) for PCB end

*V: Vertical type (DIP) for PCB end

(4) Mounting Type:

*L: With locating peg

*M: Mounting hole with screw and nut

*W: Without locating peg and mounting hole

(5) Color Option:

*B: Black, 2.2mm O.D. (Ethernet type)

*W: White, 1.5mm O.D. (Ethernet type)

(6) Logo Option:

*C: With any logo

*W: Without logo

ElectronicLinks international inc		UNLESS OTHERWISE NOTED: DIMENSIONS IN MM		OPTOLOCK POF TRANSCEIVER FOR ETHERNET ORDERING INFORMATION	
THIS DOCUMENT SHALL NOT BE REPRODUCED, NOR SHALL THE INFORMATION CONTAINED HEREIN BE USED OR DISCLOSED TO OTHERS EXCEPT AS AUTHORIZED IN WRITING BY ELECTRONIC LINKS INTERNATIONAL, INC.		MATERIAL: MATERIAL		PART NO. ELII-OLKD-X-E-EXXXX	
DESIGNED BY: DESIGNER DES(DATE)		FINISH: FINISH		SIZE	REV LEVEL
CHECKED BY: CHECKER CHK(DATE)		LINEAR 1_PL_TOL 2_PL_TOL 3_PL_TOL 4_PL_TOL		C	REV_LEVEL
APPROVED BY: APPROVAL APP(DATE)		EDGES/ CORNER BREAKS		SCALE	SCALE
		ANGLES ± ANGLES		SHEET 8 of 8	
		OUTSIDE MAX. OS_MAX			
		INSIDE MAX. IS_MAX			