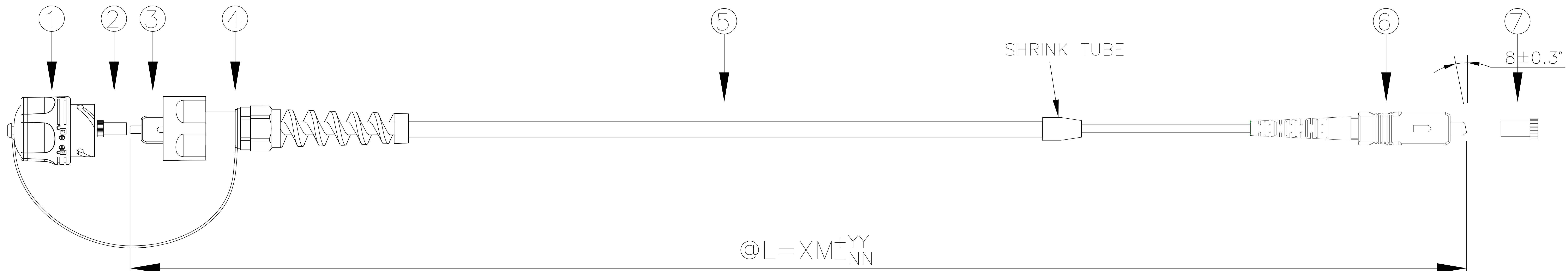


REV	ECN	DESCRIPTION	DATE	DRAWN	APPROVED
1		New Release	06/24/2017	jdee	FLiburdi

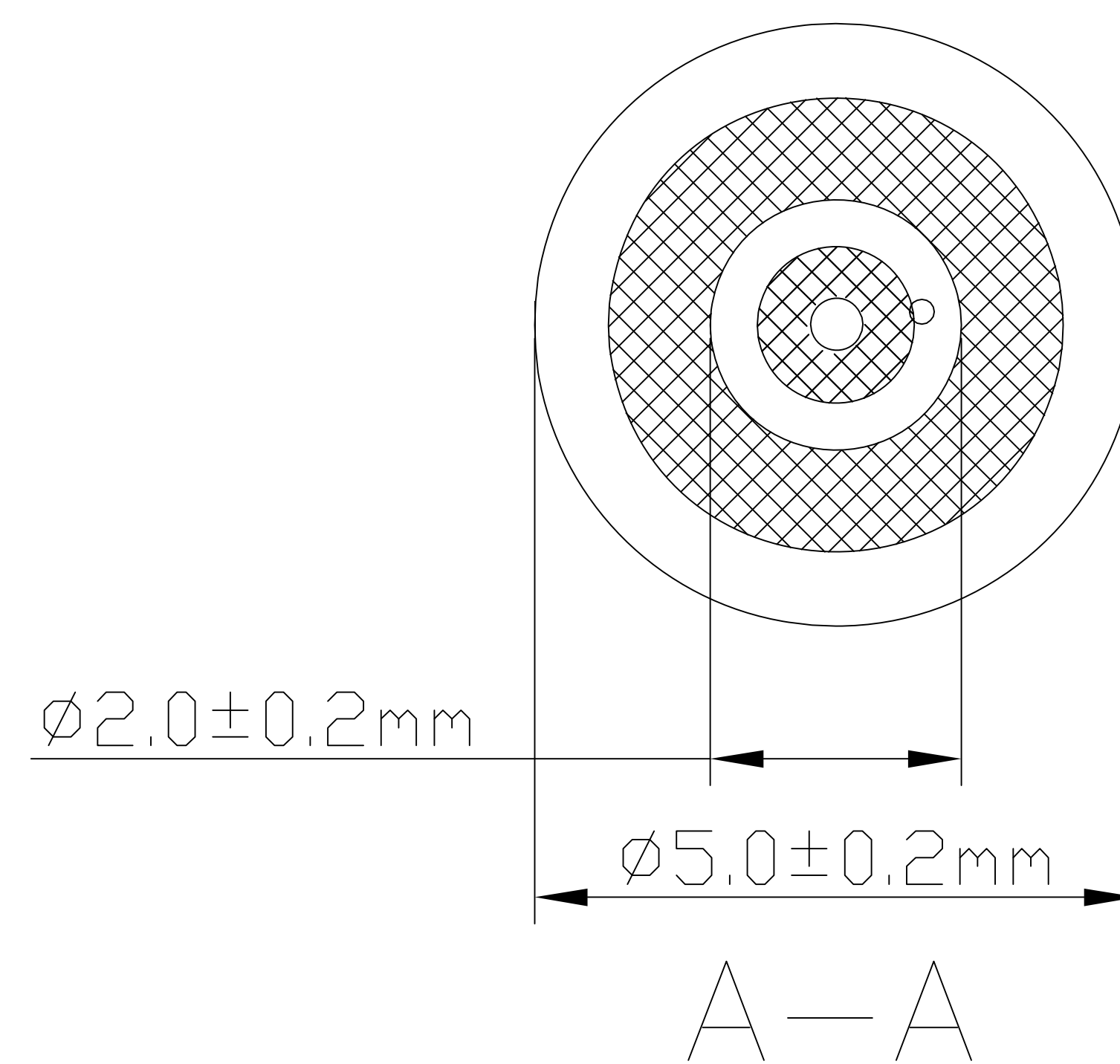
**RoHS
Compliant**



Notes:

1. Test wavelength: 1310/1550NM
SC/PC: I.L < 0.3dB R.L > 50dB
SC/APC: I.L < 0.3dB R.L > 60dB
2. Operating temperature: -20C° ~ +85C°
3. Connector: UL 94V-2
4. IP67 rated when covered or fully mated with the appropriate mating connector

L=XM	+YY -NN
X <= 20M	+0.1M -0
10M < X <= 20M	+0.2M -0
20M < X <= 50M	+0.3M -0
X > 50M	+0.5M -0



G99852T4B

**

7-001

Length:
S1=0.1M
S2=0.2M
S3=0.3M
S4=0.4M
.
.
.

01=1M
02=2M
03=3M
04=4M

Cable Color:

- 1=Yellow (RAL 1021/IEC/BS)
- 2=Orange (RAL 2003/IEC/BS)
- 3=White (RAL 1013/IEC/BS)
- 4=Slate (RAL 7000/7001/IEC/BS)
- 5=Blue (RAL 5015/IEC/BS)
- 6=Green (RAL 6018)
- 7=Black (RAL 9005/IEC/BS)
- 8=Rose (RAL 3015/IEC/BS)
- 9=Red (RAL 3000/IEC/BS)
- A=Brown (RAL 8003)
- B=Violet (RAL 4003)
- C=Aqua (RAL 6027/IEC/BS)

NO.	ITEM	DESCRIPTION	QTY
⑦	DUST CAP	Color: Transparent	1
⑥	CONNECTOR	SC/APC 2.0mm Simplex CONN. Boot Color:Green, Body Color:Green	1
⑤	OPTICAL CABLE	Simplex 5.0mm 9/125um LSZH Fiber Cable	XM
④	ODVA PLUG	Color:Black	1
③	CONNECTOR	SC/PC 2.0mm Simplex CONN. Boot color:Blue Body color:Blue	1
②	DUSTCAP	Transparent	1
①	ODVA DUSTCAP	Color:Black	1

**Electronic Links
international inc**

UNLESS OTHERWISE NOTED:
DIMENSIONS IN MM

MATERIAL: AS NOTED

FINISH: AS NOTED

LINEAR
XXX = ±0.1
X.XX = ±0.05
X.XXX = ±0.025
X.XXXX = ±0.0125

THIS DOCUMENT SHALL NOT BE REPRODUCED,
NOR SHALL THE INFORMATION CONTAINED
HEREIN BE USED OR DISCLOSED TO OTHERS
EXCEPT AS AUTHORIZED IN WRITING BY
ELECTRONIC LINKS INTERNATIONAL, INC.

DESIGNED BY: SDR 02JUN05

CHECKED BY: XXX DD/MM/YY

APPROVED BY: XXX DD/MM/YY

ANGLES ± 0.2°

EDGE/
CORNER
BREAKS

OUTSIDE MAX. 0.5
INSIDE MAX. 0.15

**ODVA PLUG/SC-SC/APC 9/125
Simplex LSZH patchcord**

SIZE C

REV LEVEL A

PART NO. G99852T4B**7-001

SCALE NONE

SHEET 1 of 1