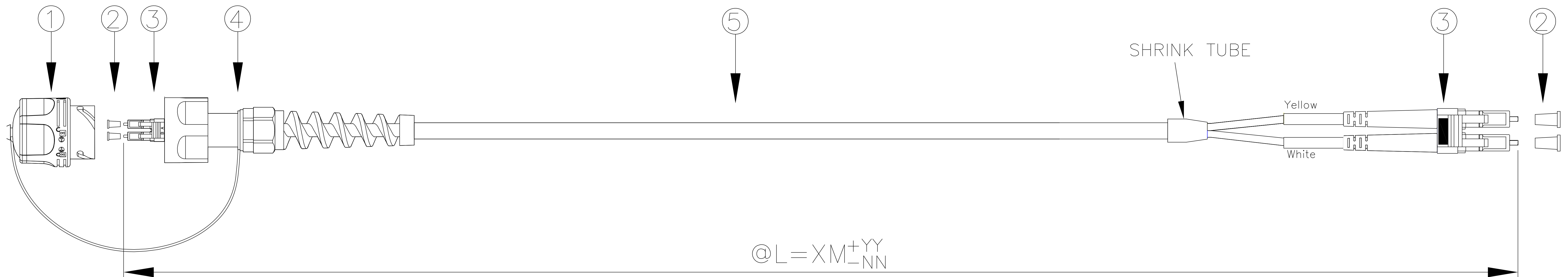


REV	ECN	DESCRIPTION	DATE	DRAWN	APPROVED
1		New Release	06/24/2017	jdee	FLiburdi

**RoHS  
Compliant**

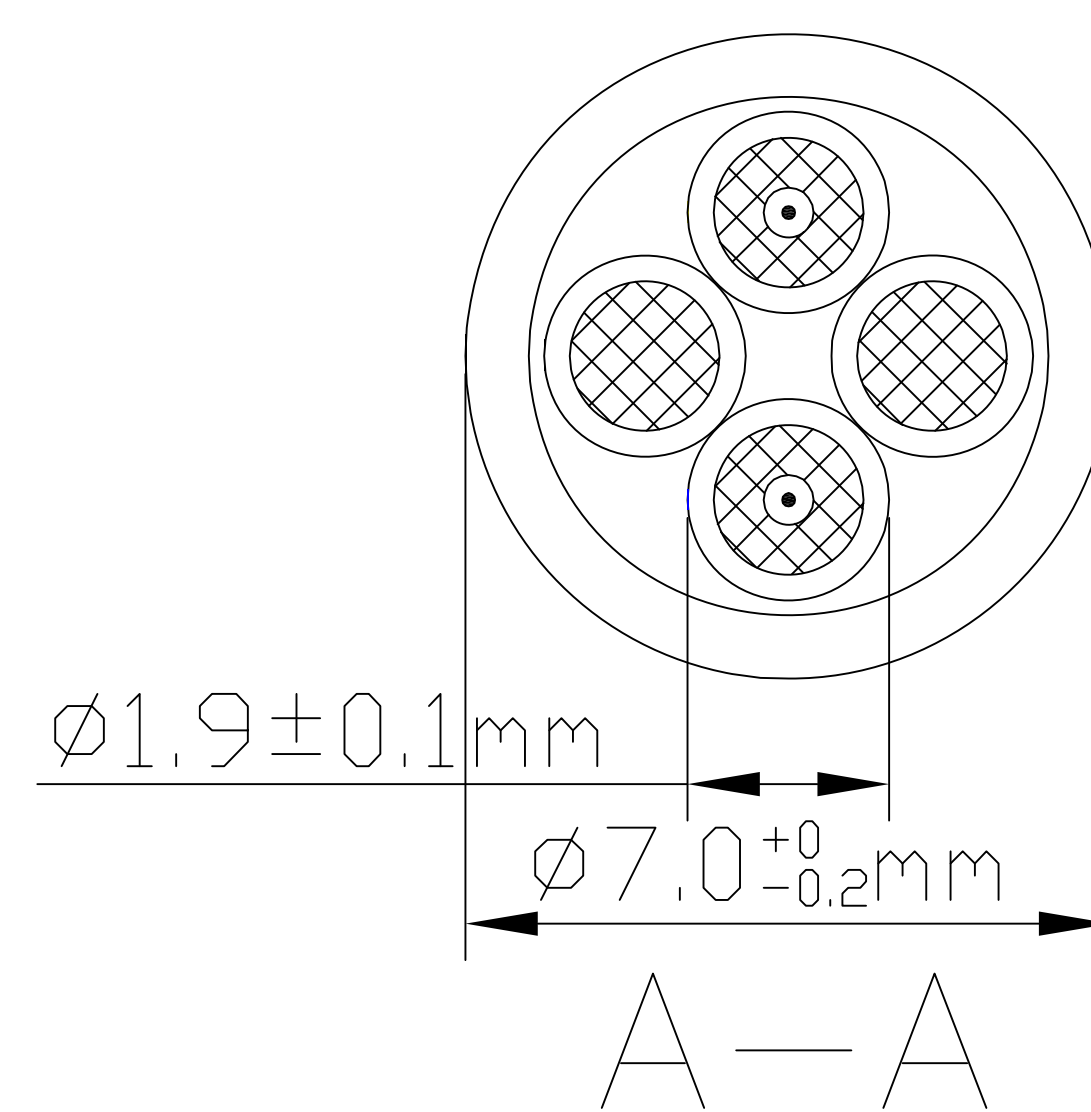


@L=XM<sup>+YY</sup><sub>-NN</sub>

**Notes:**

1. Test wavelength: 1310/1550NM  
LC/PC: I.L<0.3dB R.L>50dB
2. Operating temperature: -20C°~+85C°
3. Connector: UL 94V-2
4. IP67 rated when covered or fully mated with the appropriate mating connector

L=XM	+YY -NN
X<=20M	+0.1M -0
10M<X<=20M	+0.2M -0
20M<X<=50M	+0.3M -0
X>50M	+0.5M -0



Finished product picture

G99854S4B \*\*

7-001

Length:  
S1=0.1M  
S2=0.2M  
S3=0.3M  
S4=0.4M  
.  
01=1M  
02=2M  
03=3M  
04=4M

Cable Color:  
1=Yellow (RAL 1021/IEC/BS)  
2=Orange (RAL 2003/IEC/BS)  
3=White (RAL 1013/IEC/BS)  
4=Slate (RAL 7000/7001/IEC/BS)  
5=Blue (RAL 5015/IEC/BS)  
6=Green (RAL 6018)  
7=Black (RAL 9005/IEC/BS)  
8=Rose (RAL 3015/IEC/BS)  
9=Red (RAL 3000/IEC/BS)  
A=Brown (RAL 8003)  
B=Violet (RAL 4003)  
C=Aqua (RAL 6027/IEC/BS)

NO.	ITEM	DESCRIPTION	QTY
⑦	DUST CAP	Color: Transparent	2
⑥	CONNECTOR	LC/PC Duplex CONN. Boot Color:White Body Color:Blue Clip Color: Blue	1
⑤	OPTICAL CABLE	Simplex $\phi 5.0\text{mm}$ 9/125um LSZH Fiber Cable	XM
④	ODVA PLUG	Color:Black	1
③	CONNECTOR	SC/PC 2.0mm Simplex CONN. Boot color:Blue Body color:Blue	1
②	DUSTCAP	Transparent	1
①	ODVA DUSTCAP	Color:Black	1

<b>Electronic Links international inc</b>		UNLESS OTHERWISE NOTED: DIMENSIONS IN MM		ODVA PLUG/LC-LC/PC DX 9/125 LSZH patchcord	
MATERIAL: AS NOTED		FINISH: AS NOTED			
THIS DOCUMENT SHALL NOT BE REPRODUCED, NDR SHALL THE INFORMATION CONTAINED HEREIN BE USED OR DISCLOSED TO OTHERS EXCEPT AS AUTHORIZED IN WRITING BY ELECTRONIC LINKS INTERNATIONAL, INC.		LINEAR	ANGLES $\pm$	0.2°	SIZE C A
DESIGNED BY: SDR	02JUN05	EDGE/ CORNER BREAKS	OUTSIDE MAX.	0.5	
CHECKED BY: XXX	DD/MM/YY		INSIDE MAX.	0.15	REV LEVEL A
APPROVED BY: XXX	DD/MM/YY				PART NO. G99854S4B**7-001
				SCALE	NONE
				SHEET 1 of 1	