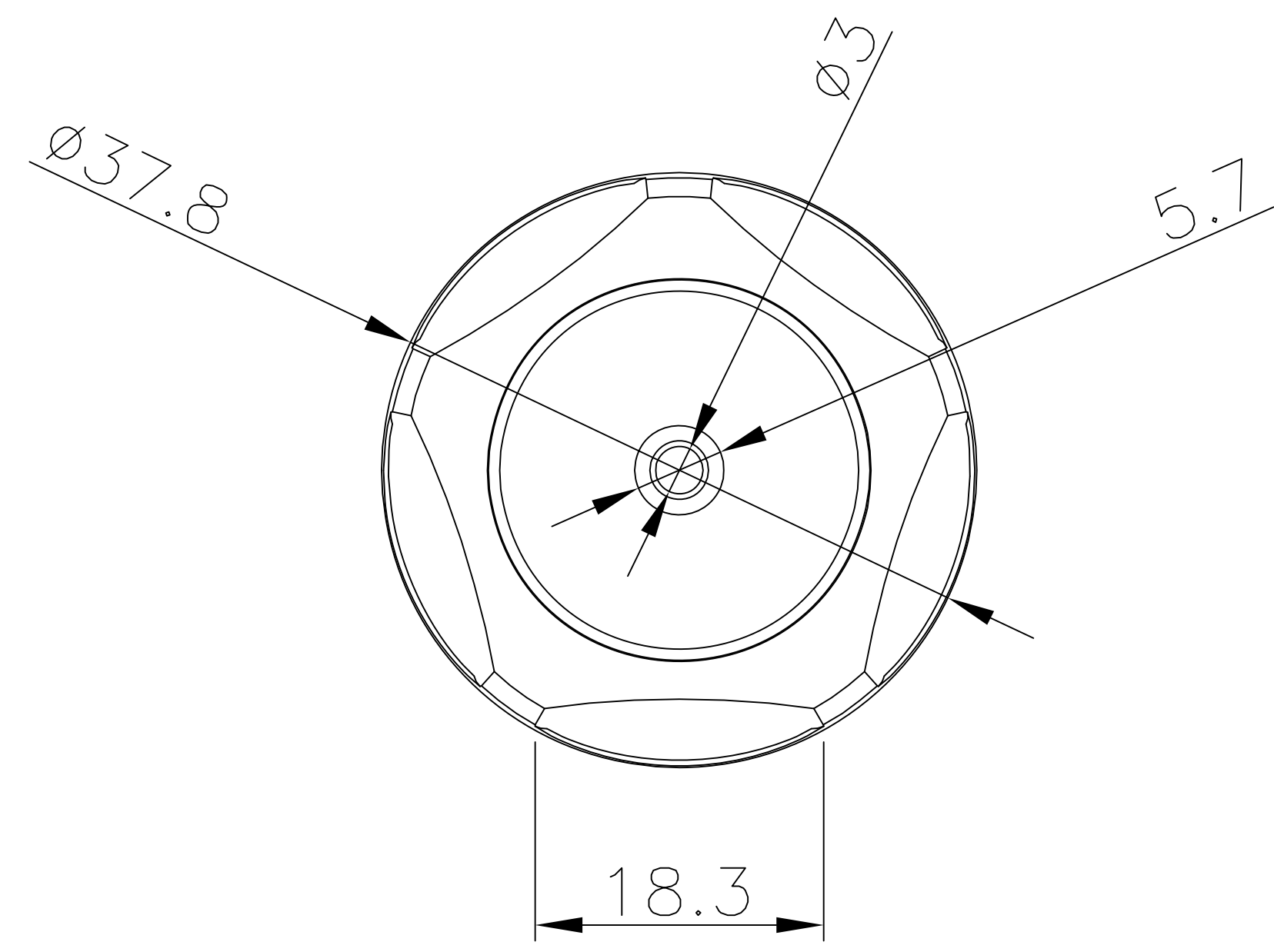
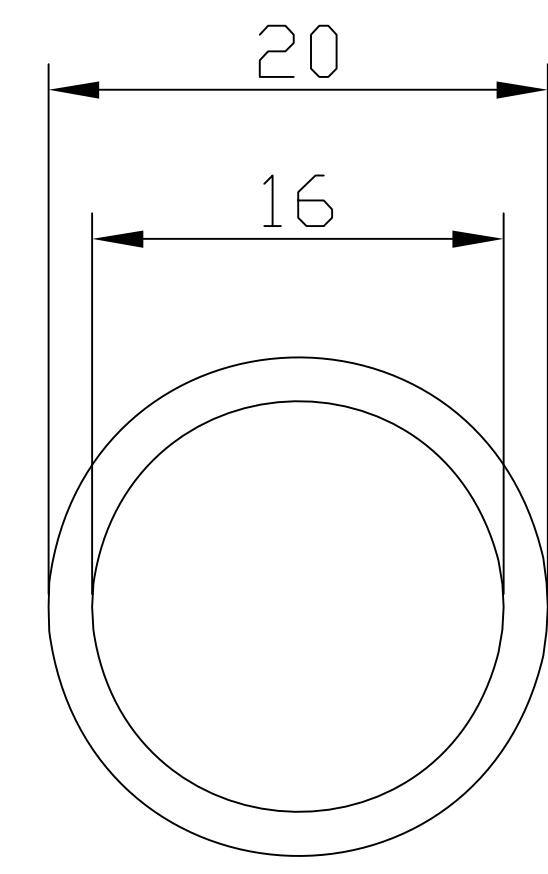


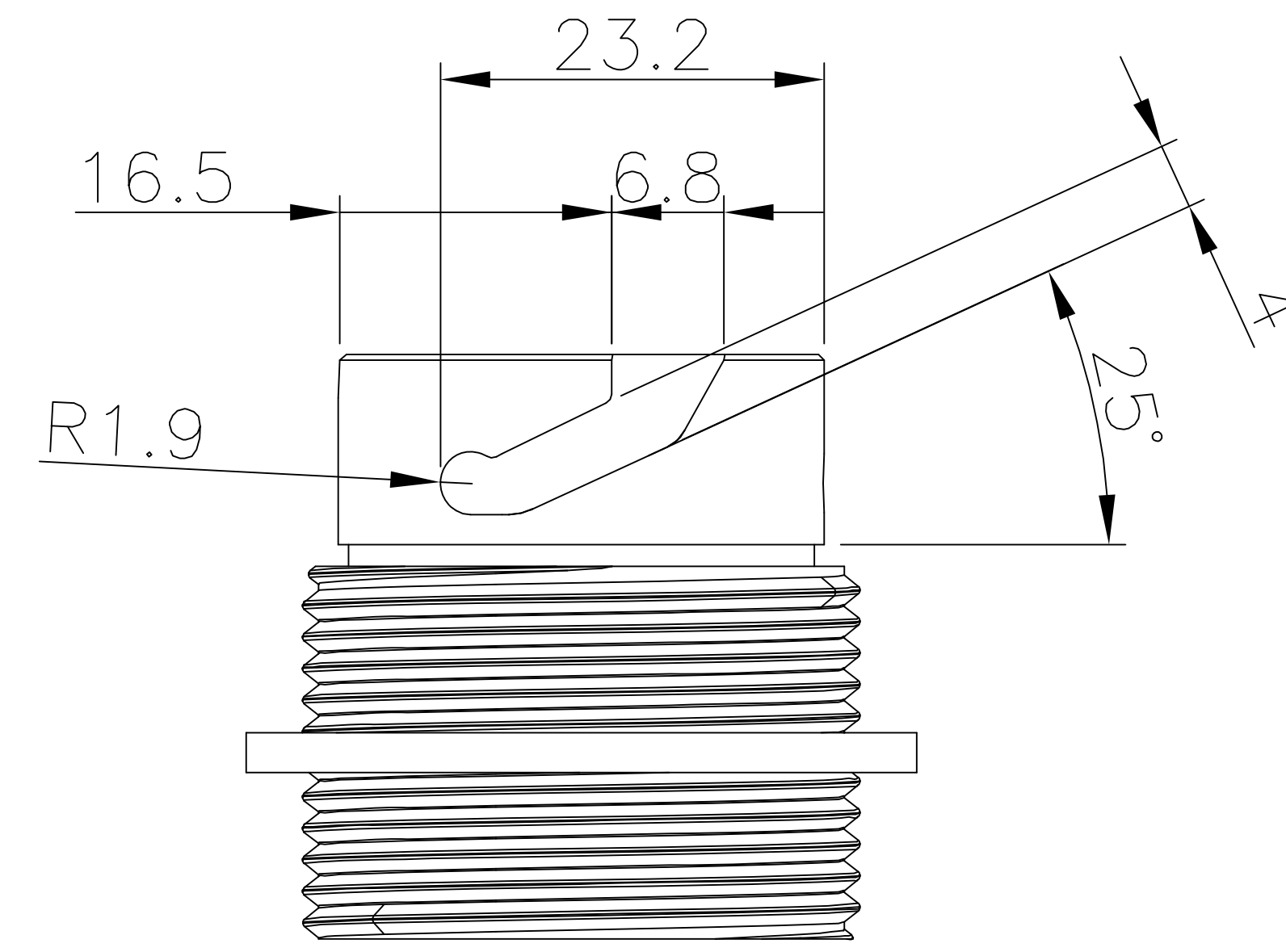
REV	ECN	DESCRIPTION	DATE	DRAWN	APPROVED
1		New Release	06/28/2017	jdee	FLiburdi



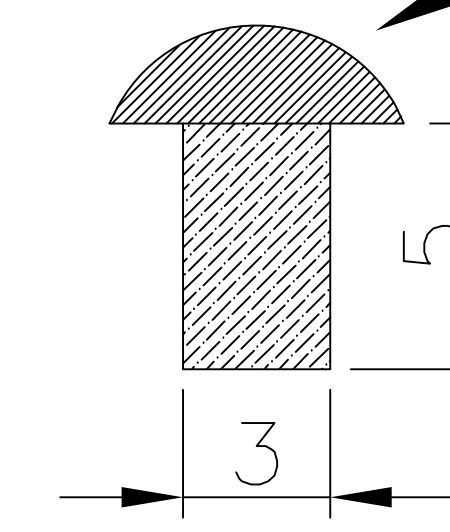
ODVA Cap



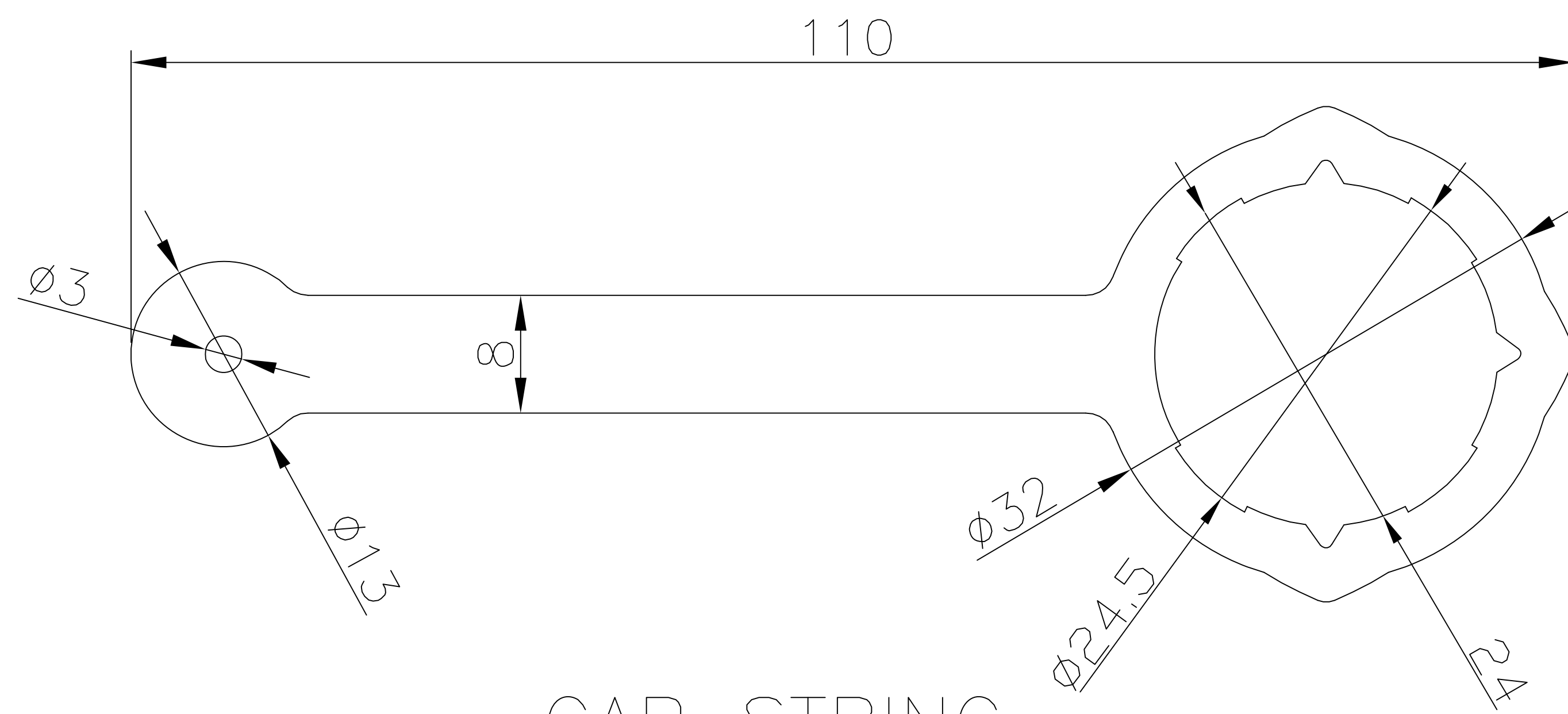
Interfacial Seal
Thickness: 3.0 mm



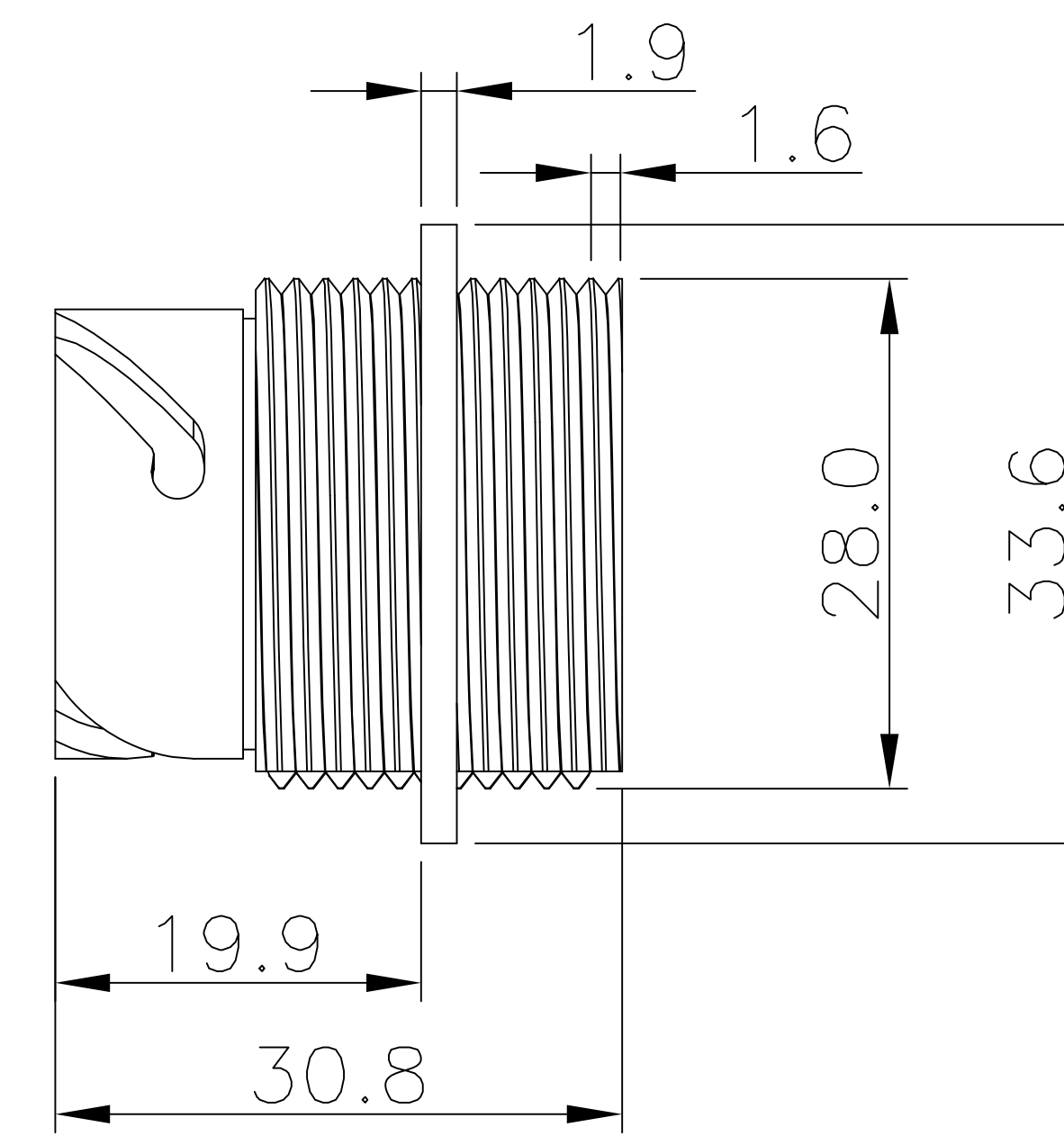
ODVA SOCKET



RIVET



CAP STRING



- Spec:
1. Waterproof Rate: IP67
 2. Nut: Stainless
 3. Housing: PEI
 4. Fiber Adapter: LC Adapter
 5. Gasket: Silicone
 6. Tensile strength: 200N, IEC 61300-2-4
 7. Static lateral load: 20N, IEC 61300-2-42

G8665 -42115

* 31

Housing Material:
1=Plastic
2=Metal
3=Plastic & Metal

Adapter Color:
1=Green
2=Blue
3=Beige

ElectronicLinks
international inc

UNLESS OTHERWISE NOTED:
DIMENSIONS IN MM

MATERIAL: AS NOTED

FINISH: AS NOTED

LINEAR: XXX = ±0.1
XXX = ±0.05
X.XXX = ±0.025
X.XXXX = ±0.0125

ANGLES ± 0.2°

EDGE/CORNER BREAKS

OUTSIDE MAX. 0.5
INSIDE MAX. 0.15

ODVA LC Adapter M26*1.8

DESIGNED BY: SDR 02JUN05

CHECKED BY: XXX DD/MM/YY

APPROVED BY: XXX DD/MM/YY

SIZE C

REV LEVEL A

SCALE NONE

PART NO. G8665 -42115*31

SHEET 1