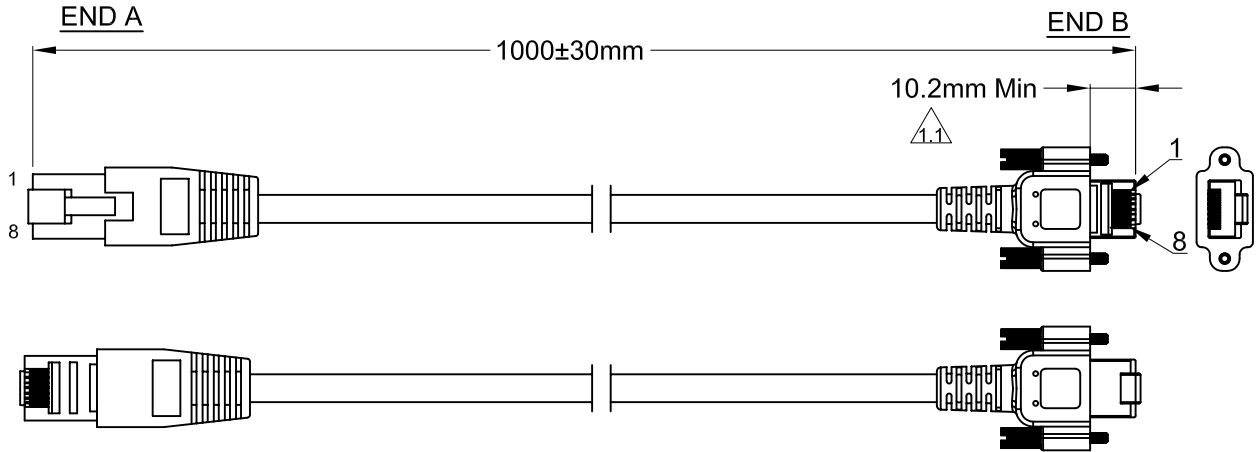


DATE :	Dec/02/11'
P/N :	B0106234
Dwg.No :	A06627
CUST. P/N :	GigE-8P8C/1 -8P8CS/1-100-00-N-2
CUSTOMER :	
DESCRIPTION	GigE-8P8C/1 -8P8CS/1-100-00-N-2
APPROVE:	

REV.	DATE	DESCRIPTION	BY
1.0	Dec/02/11'	D2535	Kevin
1.1	Aug/23/12'	R-2183	Eve

CONFIGURATION



SPECIFICATION OF MATERIAL

1. END A

CONT. PLATING MOLD No. SHIELD'G

CONNECTOR TYPE T. SCREW

2. END B

CONT. PLATING MOLD No. SHIELD'G

CONNECTOR TYPE T. SCREW

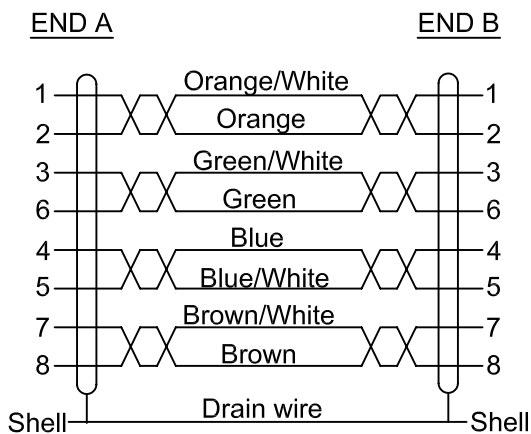
3. WIRES

WIRE GAUGE LENGTH SHIELD'G

CONDUCTORS COLOR UL/CSA

JACKET MAT'L INS. MAT'L WIRE O.D.

4. CONNECTOR PIN OUT



5. SPECIAL REQUIREMENTS

- 5.1 Product requirement for Green environment protection:RoHS.
- 5.2 Overmold PVC is 45P Black (RoHS).
- 5.3 Use cable from OKI

*** Standard Product**