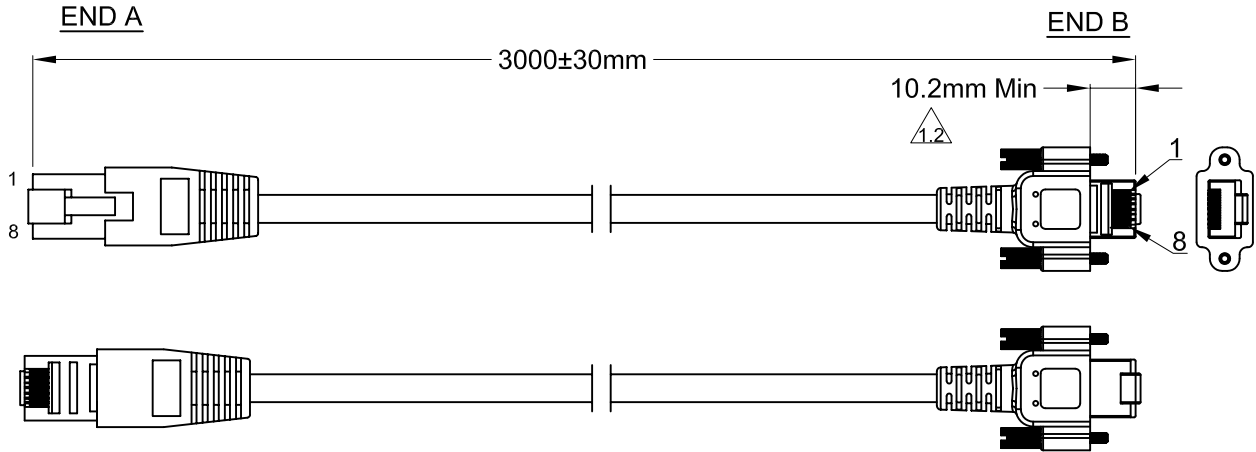


DATE :	Dec/01/11'
P/N :	B0106236
Dwg.No :	A06629
CUST. P/N :	GigE-8P8C/1 -8P8CS/1-300-00-N-1
CUSTOMER :	
DESCRIPTION	GigE-8P8C/1 -8P8CS/1-300-00-N-1
APPROVE:	

REV.	DATE	DESCRIPTION	BY
1.0	Dec/01/11'	D2538	Kevin
1.1	Mar/06/12'	R-2135	Catherine
1.2	Aug/23/12'	R-2183	Eve

CONFIGURATION



SPECIFICATION OF MATERIAL

1. END A

CONT. PLATING	Gold Flash	MOLD No.	CMS-SR43	SHIELD'G	-
CONNECTOR TYPE	8P8C Modular Plug Shield (Nickel shell,circle hole)			T. SCREW	-

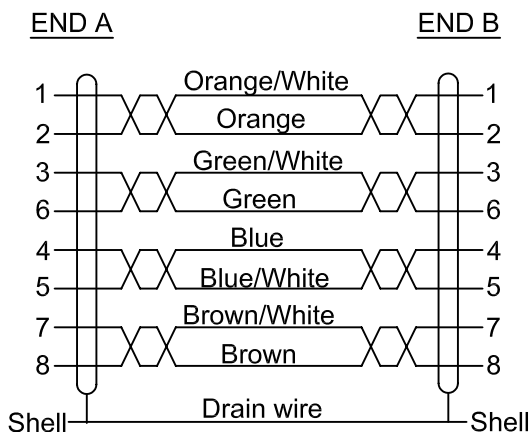
2. END B

CONT. PLATING	Gold Flash	MOLD No.	CMS-SR150	SHIELD'G	-
CONNECTOR TYPE	8P8C Modular Plug Shield (Nickel shell,circle hole)			T. SCREW	Jack Screw M2 Size :4.0x21.6x5.0

3. WIRES

WIRE GAUGE	24Awg	LENGTH	3000+20-0mm	SHIELD'G	AEM
CONDUCTORS	4TP	COLOR	Black	UL/CSA	Cat.5e
JACKET MAT'L	PVC	INS. MAT'L	HD-PE	WIRE O.D.	6.5mm Δ

4. CONNECTOR PIN OUT



5. SPECIAL REQUIREMENTS

- Product requirement for Green environment protection:RoHS.
- Overmold PVC is 45P Black (RoHS).
- Use as flexible as possible cable

*** Standard Product**