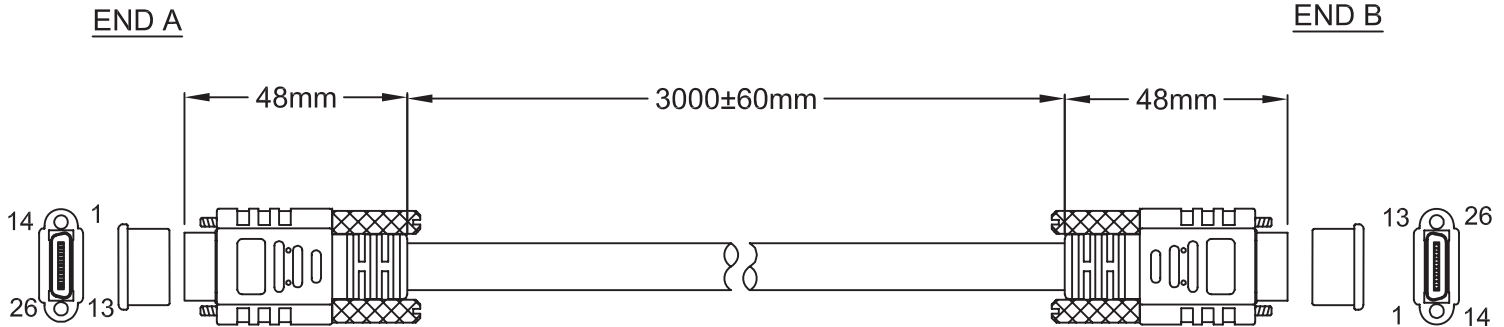


|             |                       |
|-------------|-----------------------|
| DATE :      | Apr/28/13'            |
| P/N :       | B0106440              |
| Dwg NO. :   | A07185                |
| CUST. P/N : | SDR26P-SDR26P-0300-00 |
| CUSTOMER :  |                       |
| DESCRIPTION | SDR26P-SDR26P-0300-00 |
| APPROVE:    |                       |

| REV. | DATE       | DESCRIPTION | BY  |
|------|------------|-------------|-----|
| 1.0  | Apr/29/13' | D2821       | Eve |
|      |            |             |     |
|      |            |             |     |

## CONFIGURATION



## SPECIFICATION OF MATERIAL

### 1. END A

|                |              |          |         |          |                                      |
|----------------|--------------|----------|---------|----------|--------------------------------------|
| CONT. PLATING  | Gold 15U"    | MOLD No. | 30.0040 | SHIELD'G | Copper Foil                          |
| CONNECTOR TYPE | HDR-E26FSG1+ |          |         | T. SCREW | Jack Screw M2X0.4<br>Size:5.0X47.5mm |

### 2. END B

|                |              |          |         |          |                                      |
|----------------|--------------|----------|---------|----------|--------------------------------------|
| CONT. PLATING  | Gold 15U"    | MOLD No. | 30.0040 | SHIELD'G | Copper Foil                          |
| CONNECTOR TYPE | HDR-E26FSG1+ |          |         | T. SCREW | Jack Screw M2X0.4<br>Size:5.0X47.5mm |

### 3. WIRES

|              |       |            |             |           |         |
|--------------|-------|------------|-------------|-----------|---------|
| WIRE GAUGE   | 30Awg | LENGTH     | 3070+30-0mm | SHIELD'G  | AB      |
| CONDUCTORS   | 11TP  | COLOR      | Black       | UL/CSA    | UL20379 |
| JACKET MAT'L | PVC   | INS. MAT'L | Foam PE&PP  | WIRE O.D. | 9.5mm   |

### 4. SPECIAL REQUIREMENTS

- 4.1 Product requirement for Green environment protection:RoHS.
- 4.2 Overmold PVC is 60P , Black(RoHS).
- 4.3 Cover Overmold PVC is 60P , Black(RoHS).

\* Standard Product