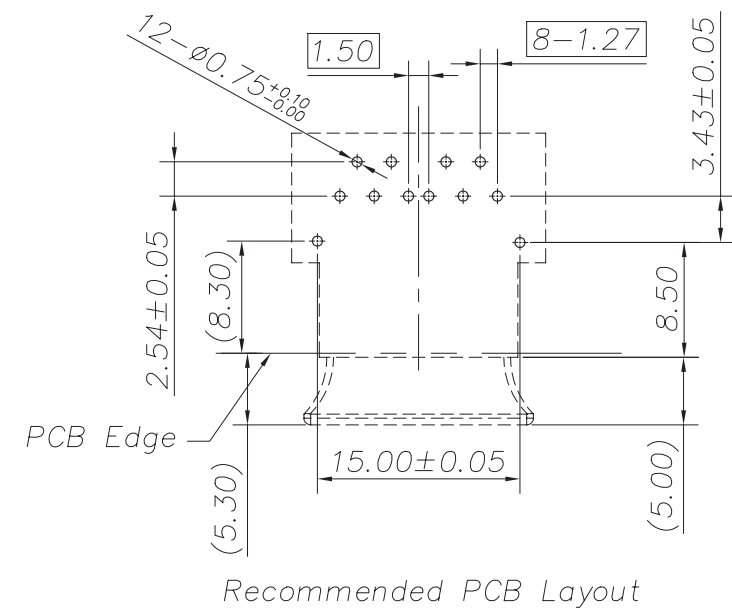
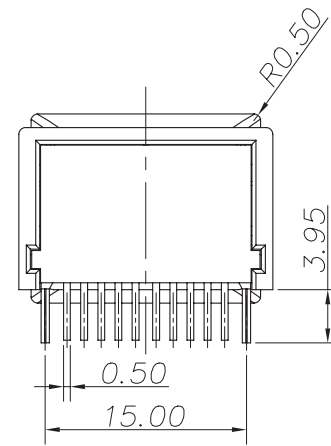
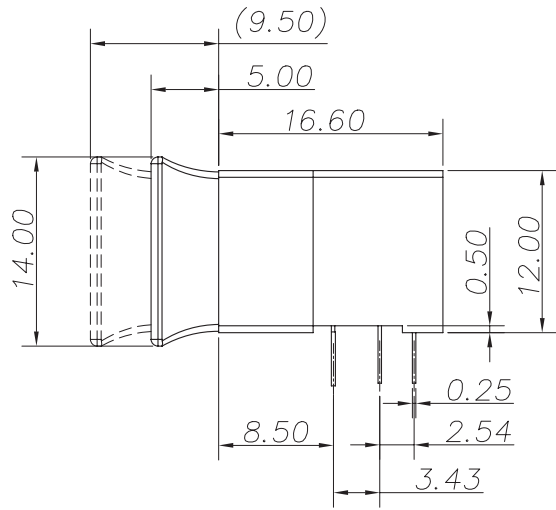
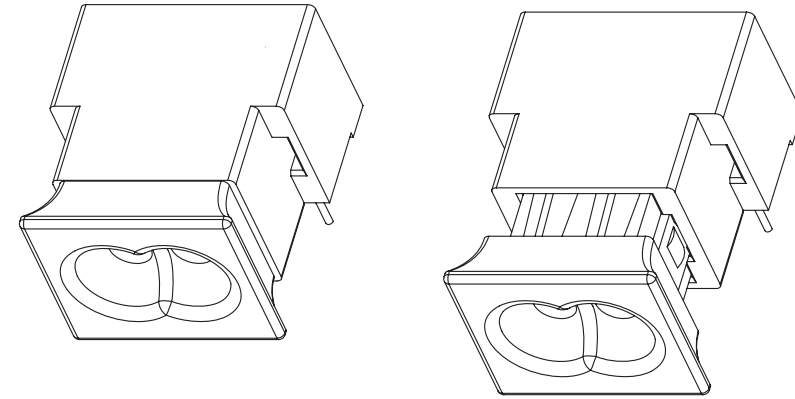
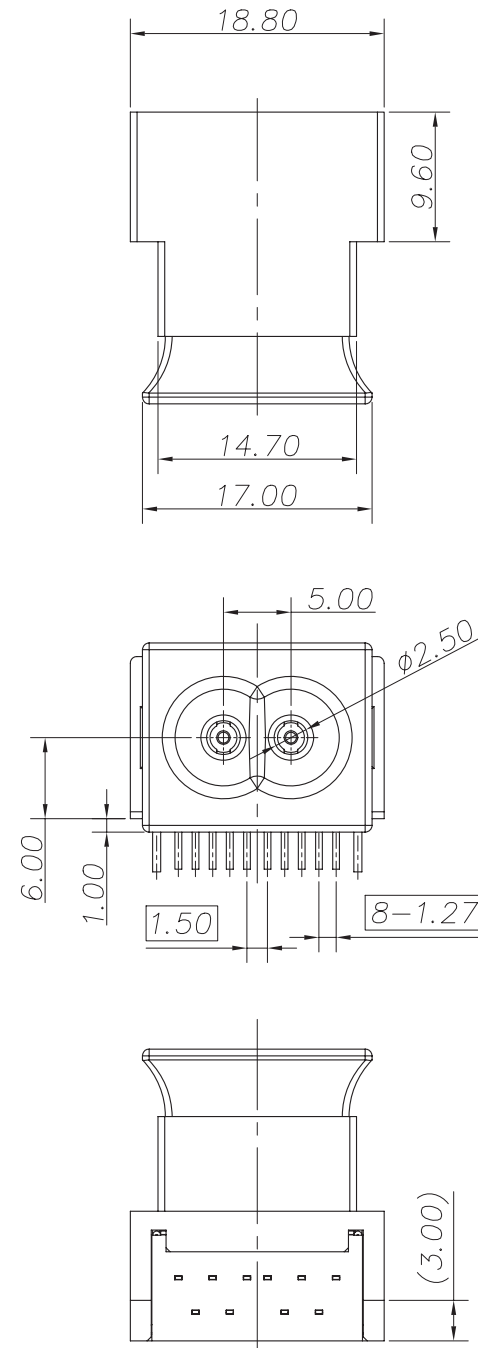


REV	ECN	DESCRIPTION	DATE	DRAWN	APPROVED
1		Initial Release	09/13/07	jld	FLiburdi

**RoHS**

Notes:

- Material :  
 Outer Housing: Thermoplastic 30%G.F. Black. UL94V-0  
 Inner Housing: Thermoplastic 30%G.F. Black. UL94V-0  
 Back Cover: Thermoplastic 30%G.F. Black. UL94V-0  
 Metal Shell : Copper Alloy.
- Product Must Conform to RoHS.



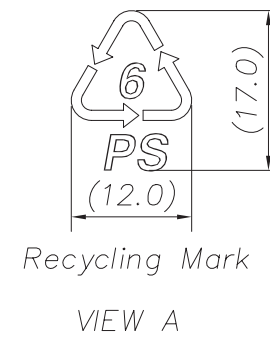
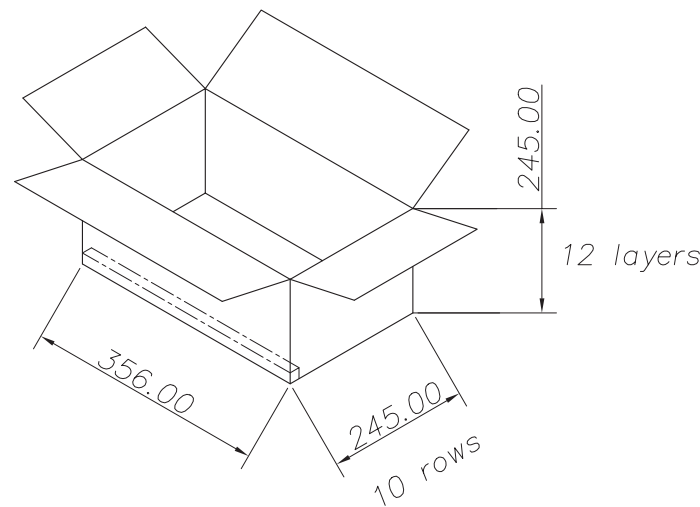
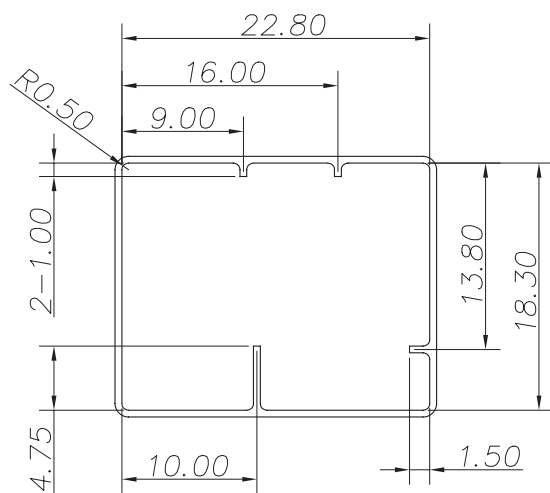
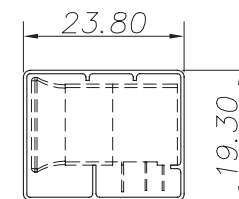
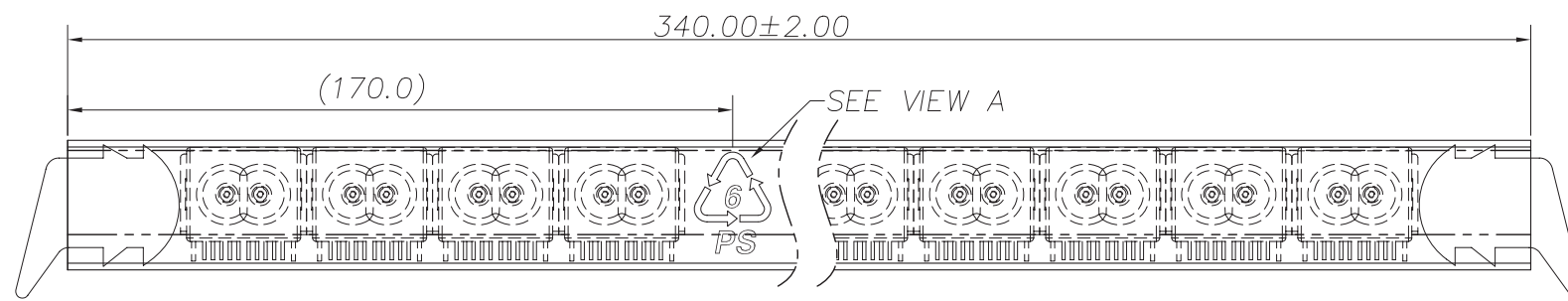
<b>ElectronicLinks</b> international inc		UNLESS OTHERWISE NOTED: DIMENSIONS IN MM		Right Angle Type W/O Location Optical Transceiver	
THIS DOCUMENT SHALL NOT BE REPRODUCED, NOR SHALL THE INFORMATION CONTAINED HEREIN BE USED OR DISCLOSED TO OTHERS EXCEPT AS AUTHORIZED IN WRITING BY ELECTRONIC LINKS INTERNATIONAL, INC.		MATERIAL: MATERIAL			
DESIGNED BY: DESIGNER DES(DATE)		FINISH: FINISH		SIZE	REV LEVEL
CHECKED BY: CHECKER CHK(DATE)		LINEAR: 1_PL_TOL 2_PL_TOL 3_PL_TOL 4_PL_TOL		C	REV_LEVEL
APPROVED BY: APPROVAL APP(DATE)		EDGES/ CORNER BREAKS		SCALE	SCALE
		ANGLES ±		PART NO. ELII-SMI-NO-PLUG-RA	
		OUTSIDE MAX. OS_MAX		SHEET 1 of 2	
		INSIDE MAX. IS_MAX			

REV	ECN	DESCRIPTION	DATE	DRAWN	APPROVED
1		Initial Release	09/13/07	jld	FLiburdi

**RoHS**

Notes:

1. Material: Transparent PS  
(Recycling material)
2. Thickness: 0.50mm
3. Recycling mark print color: Blue
4. The tube must pass the electrostatic discharge process



Package:

Item	Quantity	Total	Size (L*W*H)
Tube	16 pcs	16 pcs	340*23.8*19.3
Carton	120 tube/ carton	1920 pcs	356*245*245

<b>ElectronicLinks</b> international inc		UNLESS OTHERWISE NOTED: DIMENSIONS IN MM		Right Angle Type W/O Location Optical Transceiver				
THIS DOCUMENT SHALL NOT BE REPRODUCED, NOR SHALL THE INFORMATION CONTAINED HEREIN BE USED OR DISCLOSED TO OTHERS EXCEPT AS AUTHORIZED IN WRITING BY ELECTRONIC LINKS INTERNATIONAL, INC.		MATERIAL: MATERIAL						FINISH: FINISH
DESIGNED BY:	DESIGNER	DES(DATE)	EDGE/ CORNER BREAKS	ANGLES ±	ANGLES	SIZE	REV LEVEL	PART NO.
CHECKED BY:	CHECKER	CHK(DATE)	OUTSIDE MAX.	OS_MAX	C	REV_LEVEL		ELII-SMI-NO-PLUG-RA
APPROVED BY:	APPROVAL	APP(DATE)	INSIDE MAX.	IS_MAX	SCALE	SCALE		SHEET 2 of 2