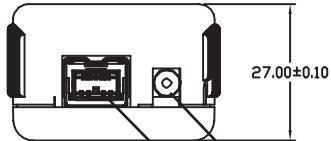
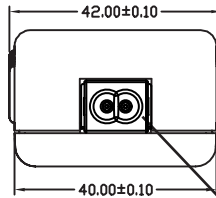
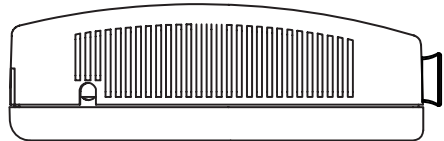
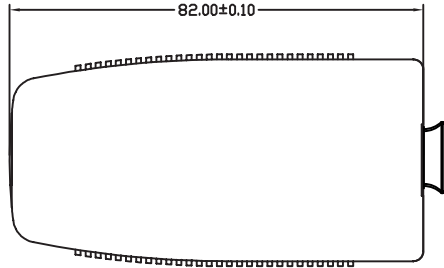
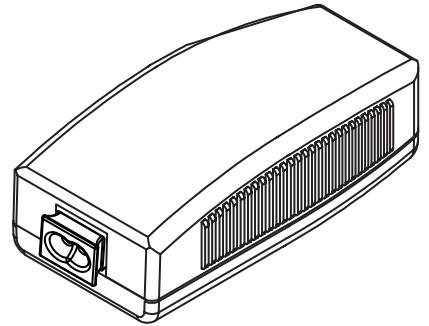
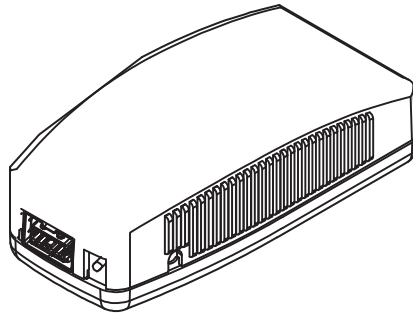


REV	ECN	DESCRIPTION	DATE	DRAWN	APPROVED
A		Initial Release	08/20/07	SDR	FLiburdi

RoHS



Power Jack

1394b

Optolock

ElectronicLinks
international inc

THIS DOCUMENT SHALL NOT BE REPRODUCED, COPIED, OR DISCLOSED TO OTHERS EXCEPT AS AUTHORIZED IN WRITING BY ELECTRONIC LINKS INTERNATIONAL, INC.

DESIGNED BY:	SDR	DD/MM/YY
CHECKED BY:	xxx	DD/MM/YY
APPROVED BY:	xxx	DD/MM/YY

UNLESS OTHERWISE NOTED: DIMENSIONS IN MM
MATERIAL: AS NOTED
FINISH: AS NOTED
LINEAR: XX = ±0.1
XXX = ±0.05
XXXX = ±0.025
XXXXX = ±0.0125

ANGLES ±	0.2°
EDGE/CHAMFER BREAKS	OUTSIDE MAX. 0.5
	INSIDE MAX. 0.15

1394b Converter Without SMI Connector		PART NO.	ELI-NOSMI-1394b-X-Y-Z
SIZE	REV LEVEL	SHEET 1 OF 2	
C	A		
SCALE	NONE		

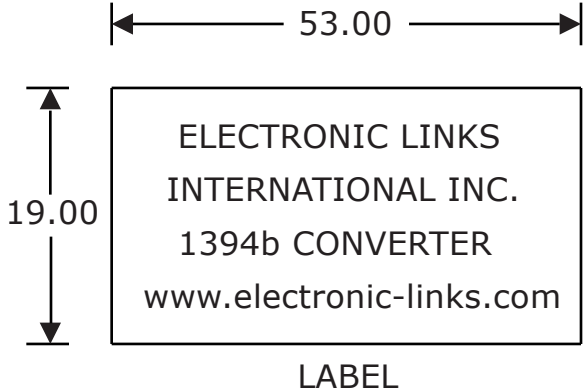
REV	ECN	DESCRIPTION	DATE	DRAWN	APPROVED
A		Initial Release	08/20/07	SDR	FLiburdi

RoHS

Notes:

- 1. Material: ABS Black, UL94V-0

PART NUMBER
ELII-NOSMI-1394b-X-Y-Z



- 0 = With US Power Plug
- 1 = With EU Power Plug
- 2 = With UK Power Plug

- 0 = Black Housing
- 1 = White Housing

- 0 = With Power Plug
- 1 = Without Power Plug

		UNLESS OTHERWISE NOTED: DIMENSIONS IN MM		1394b Converter Without SMI Connector	
THIS DOCUMENT SHALL NOT BE REPRODUCED, NOR SHALL THE INFORMATION CONTAINED HEREIN BE USED OR DISCLOSED TO OTHERS EXCEPT AS AUTHORIZED IN WRITING BY ELECTRONIC LINKS INTERNATIONAL, INC.		MATERIAL: AS NOTED		PART NO. ELII-NOSMI-1394b-X-Y-Z	
FINISH: AS NOTED		LINEAR: <ul style="list-style-type: none"> XX = 0.01 XXX = 0.05 XXXX = 0.025 XXXXX = 0.0125 		SIZE C REV LEVEL A	
DESIGNED BY: SDR	DD/MM/YY	ANGLES ±	0.2°	SCALE	NONE
CHECKED BY: xxx	DD/MM/YY	EDGE / CORNER BREAKS	OUTSIDE MAX. 0.5	SHEET 2 OF 2	
APPROVED BY: xxx	DD/MM/YY	INSIDE MAX.	0.15		