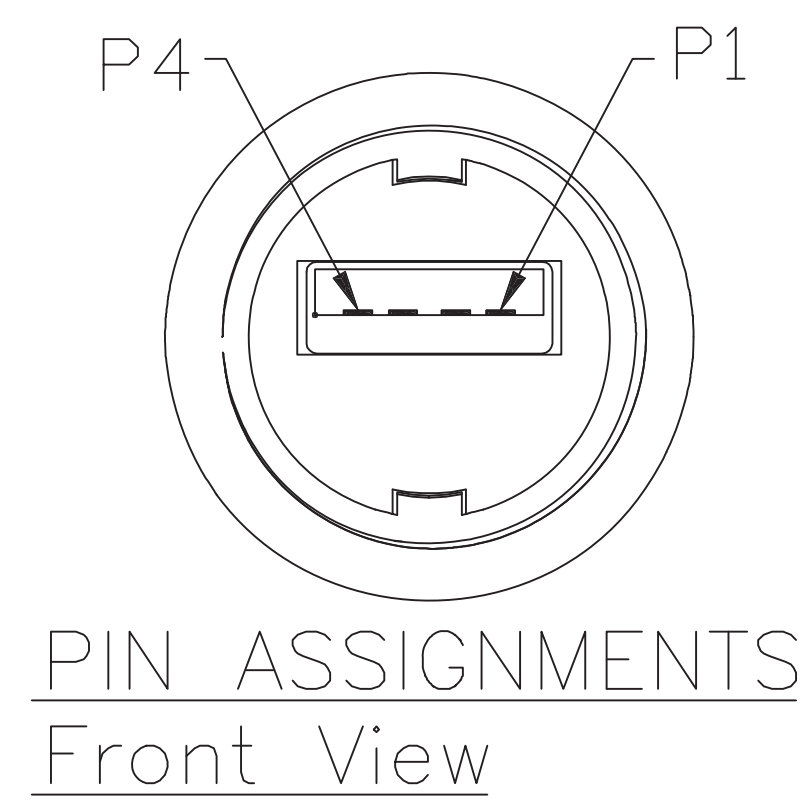
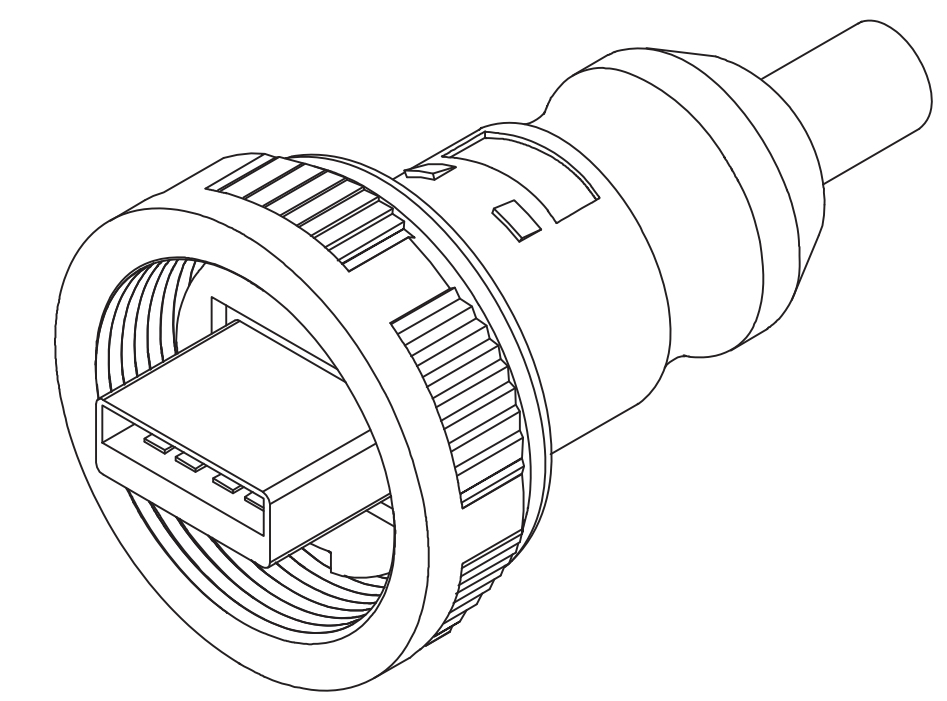
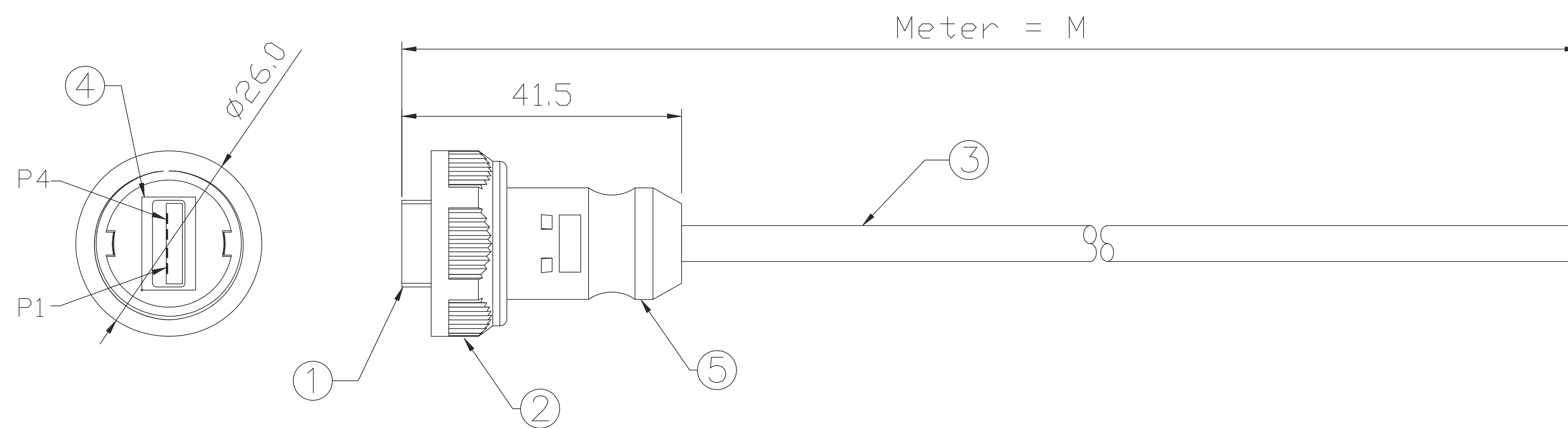


REV	ECN	DESCRIPTION	DATE	DRAWN	APPROVED
1		Initial Release	03-10-13	jld	FLiburdi

CUSTOMER COPY

RoHS



- Wiring Diagram
- 1 ——— RED(24AWG)
 - 2 ——— WHITE(28AWG)
 - 3 ——— GREEN(28AWG)
 - 4 ——— BLACK(24AWG)
 - SHELL ——— DRAIN

NO.	PART NAME	DESCRIPTION	COLOR	Q'TY	REMARKS
5	OVERMOLD	PVC	BLACK	1	
4	GASKET	SANTOPRENE.	BLACK	1	
3	CABLE	UL2725 USB CABLE	BLACK	1	
2	SCREW NUT	NYLONG+GF	BLACK	1	
1	CONNECTOR	USB A TYPE MALE CONNECTOR.	WHITE	1	

Drawing is subject to change without notice. Any updated information required, please contact with our sales dept.

ElectronicLinks
international inc

THIS DOCUMENT SHALL NOT BE REPRODUCED, NOR SHALL THE INFORMATION CONTAINED HEREIN BE USED OR DISCLOSED TO OTHERS EXCEPT AS AUTHORIZED IN WRITING BY ELECTRONIC LINKS INTERNATIONAL, INC.

DESIGNED BY: SDR 02JUN05
 CHECKED BY: XXX DD/MM/YY
 APPROVED BY: XXX DD/MM/YY

UNLESS OTHERWISE NOTED:
 DIMENSIONS IN MM
 MATERIAL: AS NOTED
 FINISH: AS NOTED
 LINEAR: XXX = ±0.1
 XXX = ±0.05
 X.XXX = ±0.025
 X.XXXX = ±0.0125
 ANGLES ± 0.2°
 EDGE/CORNER BREAKS
 OUTSIDE MAX. 0.5
 INSIDE MAX. 0.15

**USB A Type Male Screw
Type Molded Cable**

SIZE C REV LEVEL A PART N ELII USBAM04VC
 SCALE NONE SHEET 1 of 1