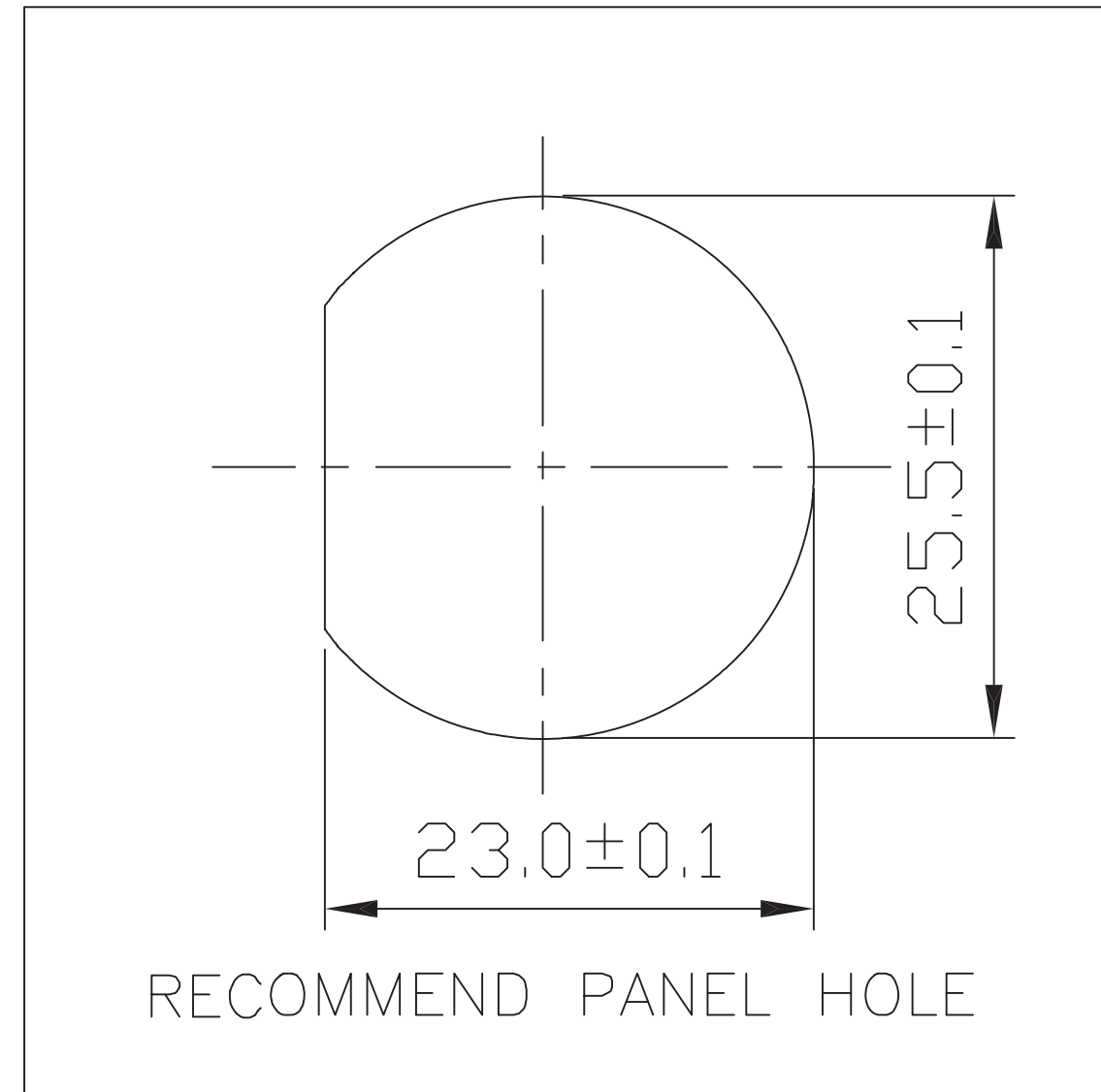
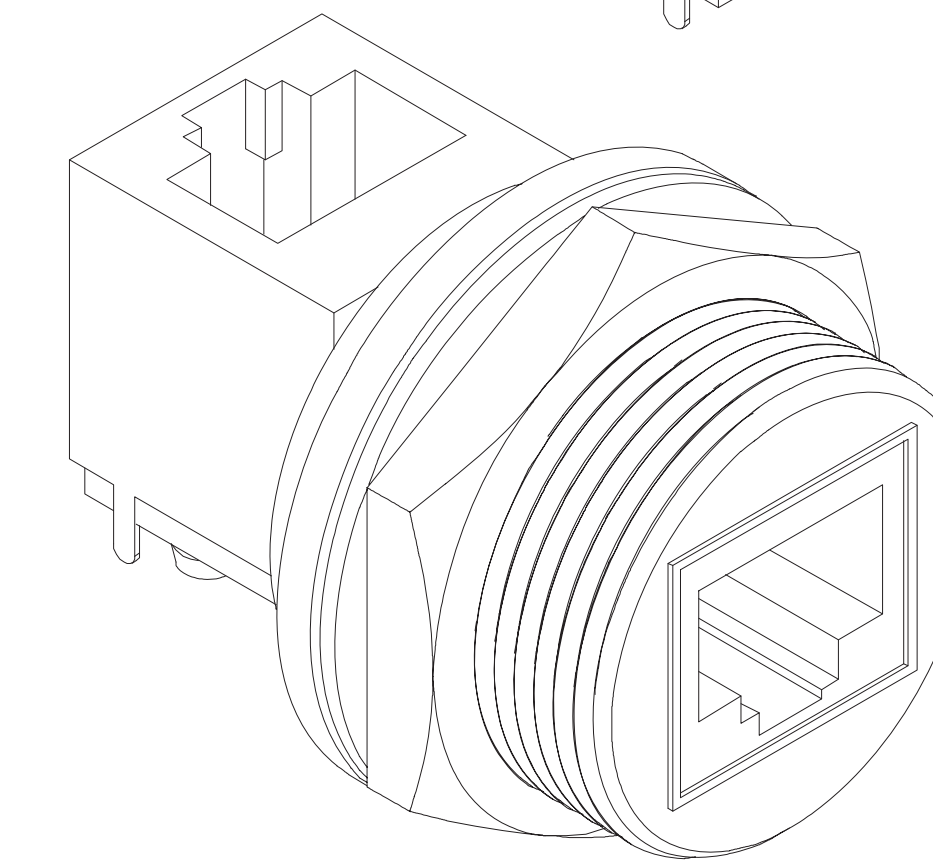
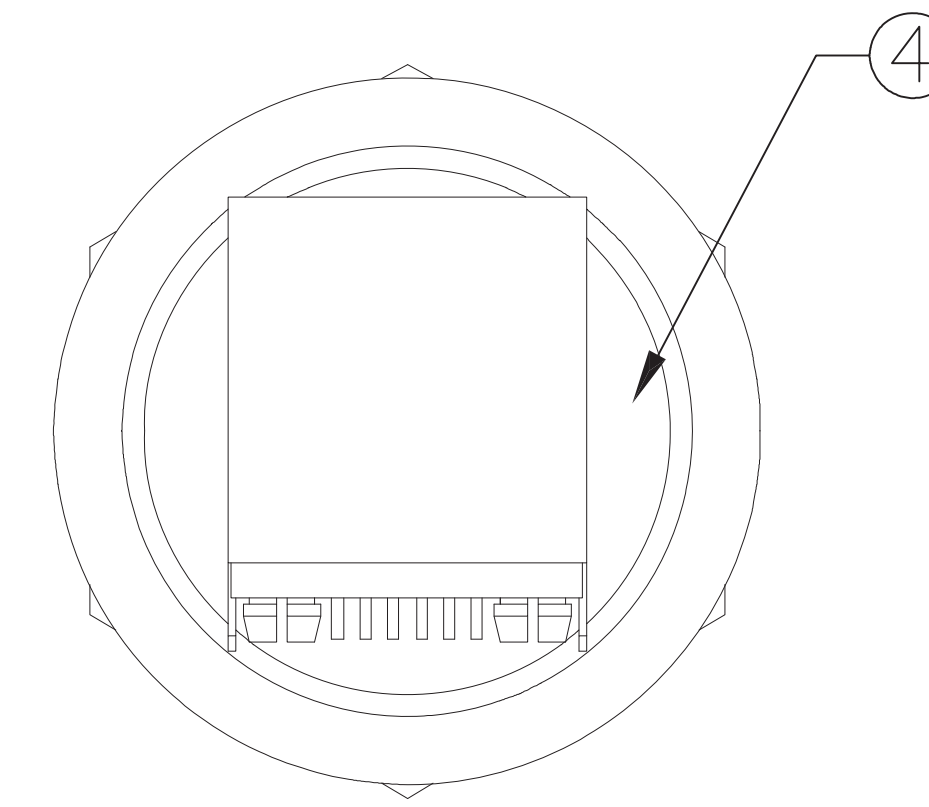
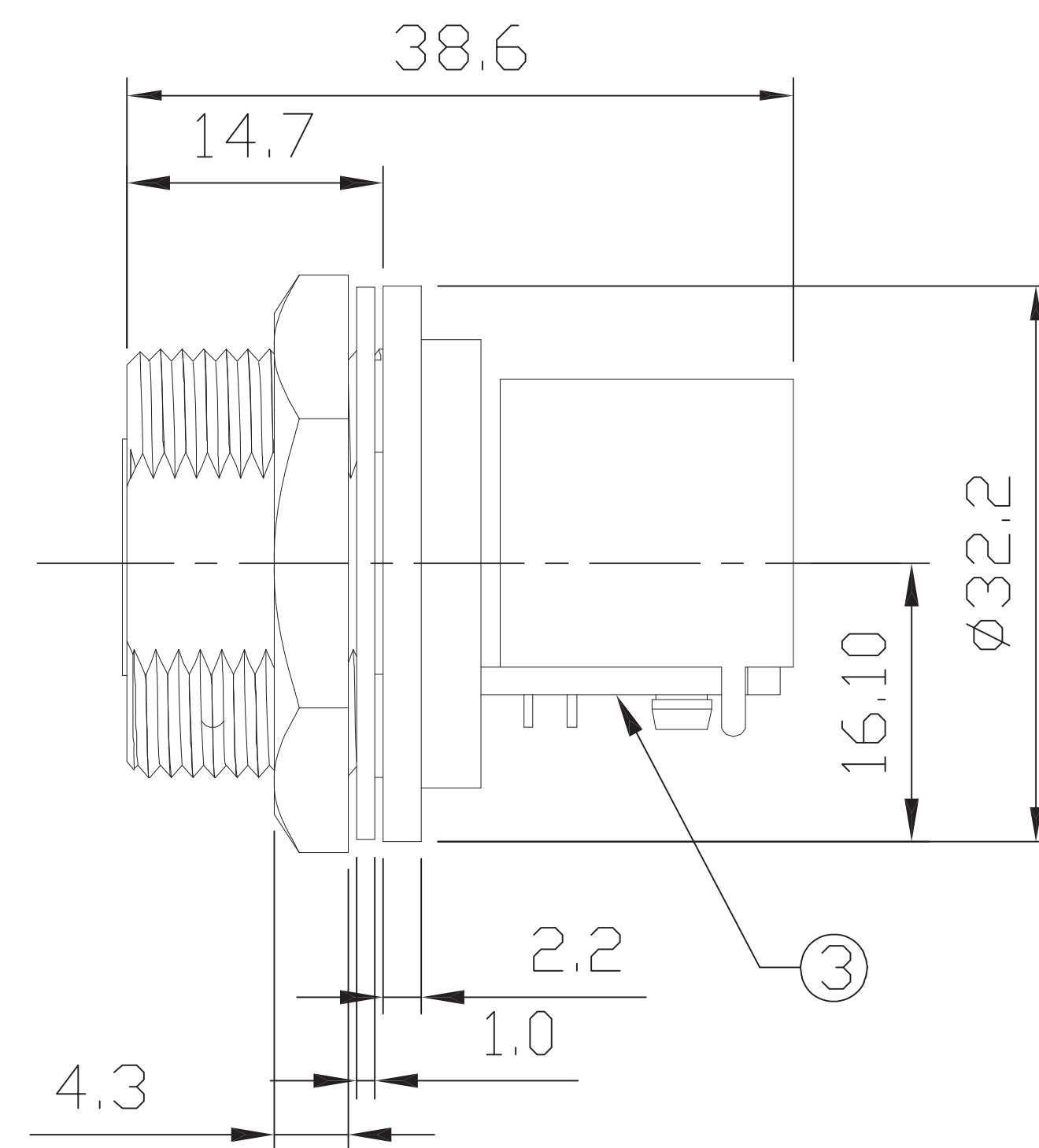
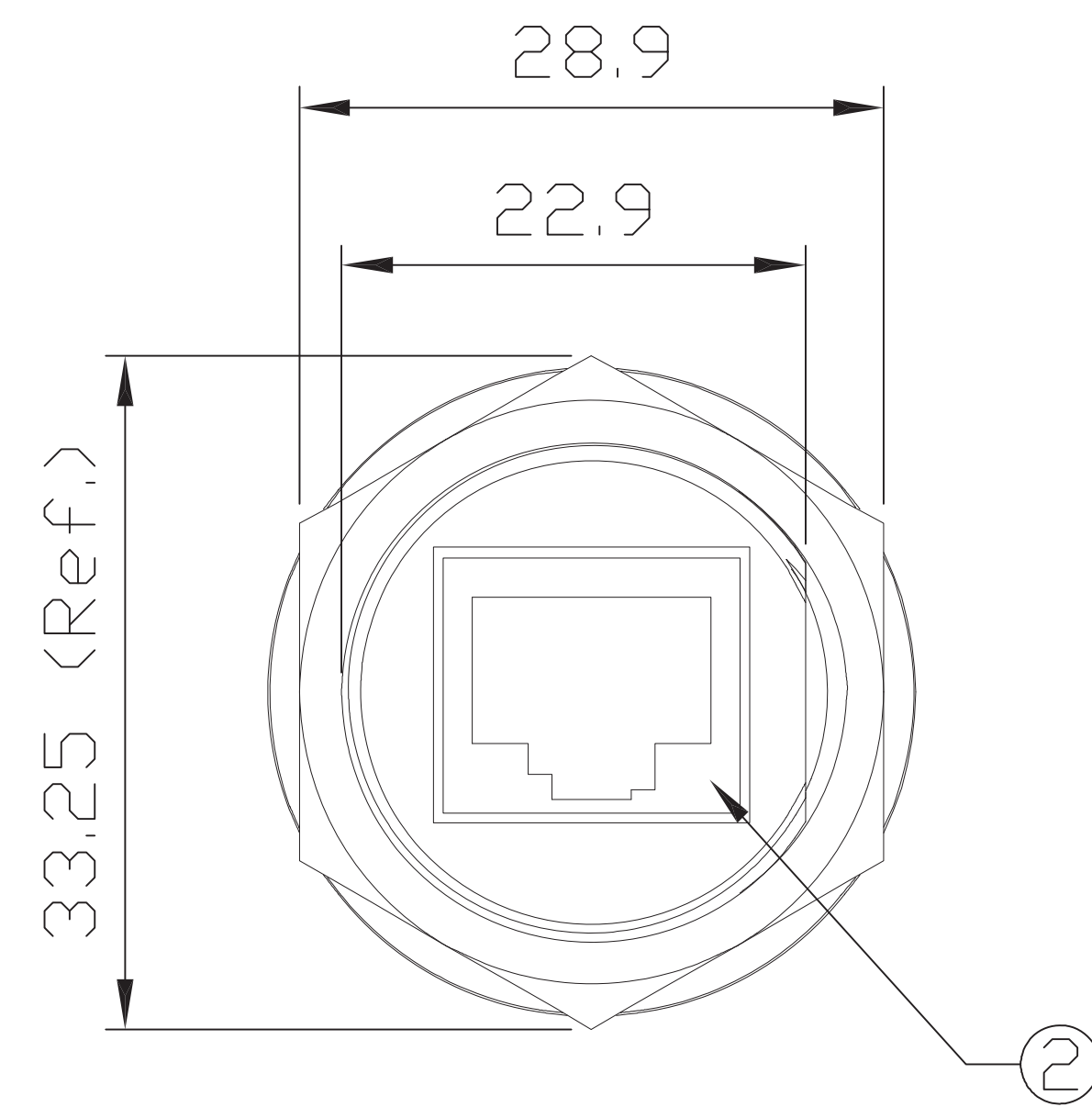
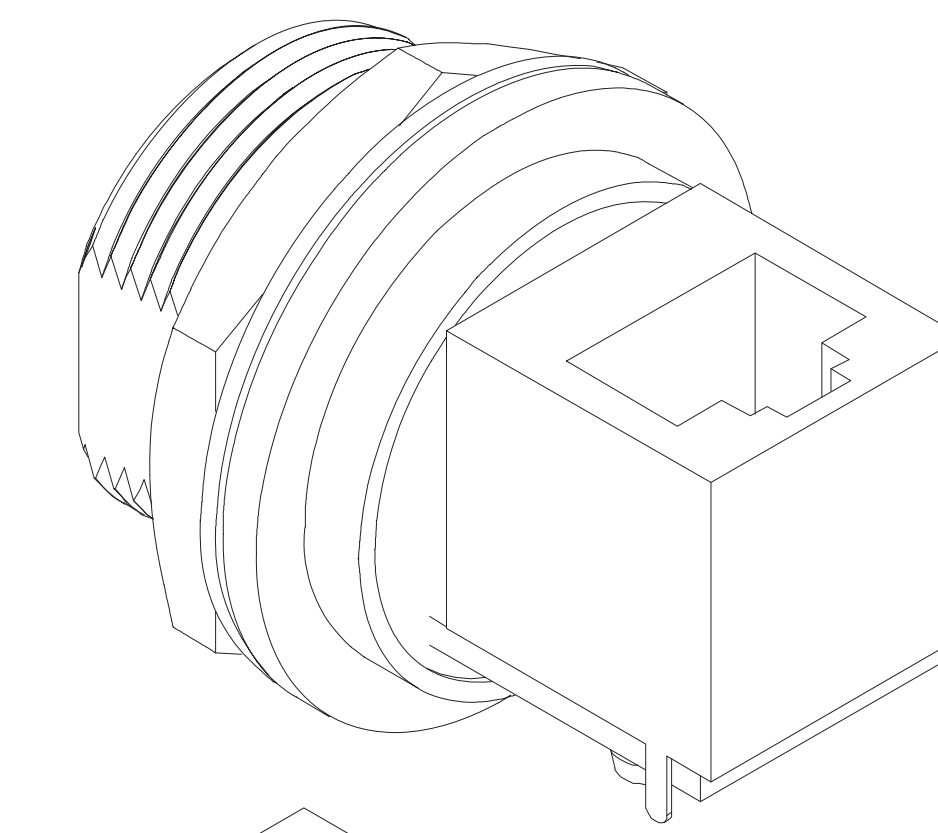
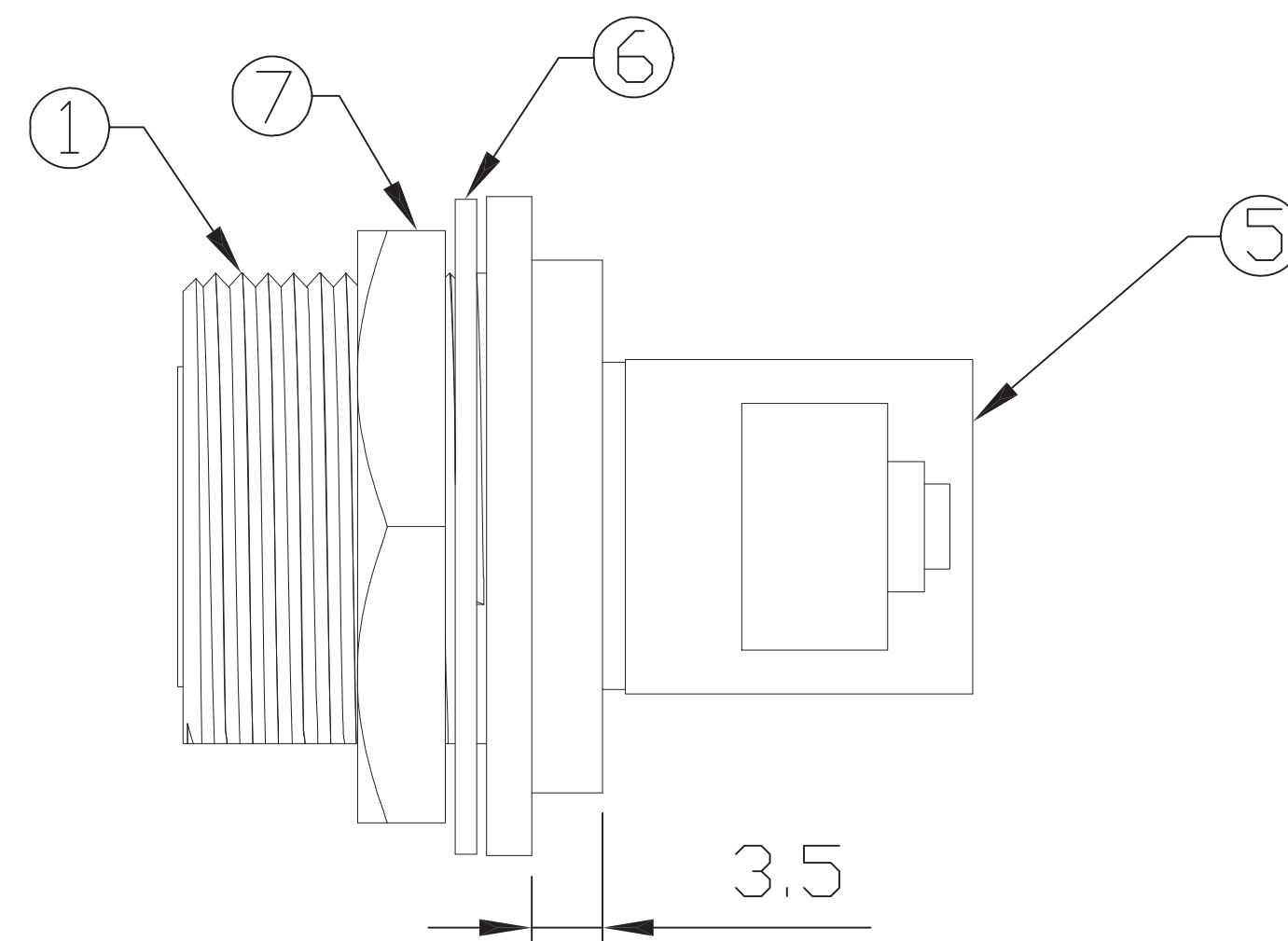


REV	ECN	DESCRIPTION	DATE	DRAWN	APPROVED
1		Initial Release	03-10-13	jld	FLiburdi

**CUSTOMER COPY**



**RoHS**



7	HEX NUT	NYLON+GF	BLACK	1	
6	GASKET	EPDM.	BLACK	1	
5	RJ45 JACK	RJ45 JACK CONNECTOR WITH SHIELD.STRAIGHT TYPE		1	
4	GLUE	SEALED GLUE.	BLACK	1	
3	PCB	FR4,DOUBLE SIDE 1.6mm THICKNESS.		1	
2	RJ45 JACK	RJ45 JACK WIHT SHIELD .RIGHT ANGLE TYPE.		1	
1	CONNECTOR	RJ-45 JACK CONNECTOR BODY.NYLON+GF	BLACK	1	
NO.	PART NAME	DESCRIPTION	COLOR	Q'TY	REMARKS

Drawing is subject to change without notice. Any updated information required, please contact with our sales dept.

**ElectronicLinks**  
international inc

THIS DOCUMENT SHALL NOT BE REPRODUCED, NDR SHALL THE INFORMATION CONTAINED HEREIN BE USED OR DISCLOSED TO OTHERS EXCEPT AS AUTHORIZED IN WRITING BY ELECTRONIC LINKS INTERNATIONAL, INC.

DESIGNED BY: SDR 02JUN05  
CHECKED BY: XXX DD/MM/YY  
APPROVED BY: XXX DD/MM/YY

UNLESS OTHERWISE NOTED:  
DIMENSIONS IN MM

MATERIAL: AS NOTED

FINISH: AS NOTED

LINEAR: XX = ±0.1  
XXX = ±0.05  
XXXX = ±0.025  
XXXXX = ±0.0125

ANGLES ± 0.2°

EDGE/CORNER BREAKS

OUTSIDE MAX. 0.5  
INSIDE MAX. 0.15

**RJ45 Jack D Size Panel Conn.  
Screw Type Round Flange Rear  
W/Straight Angle RJ45 Shield Jack**

SIZE C REV LEVEL A PART N ELII A07115

SCALE NONE SHEET 1 of 1