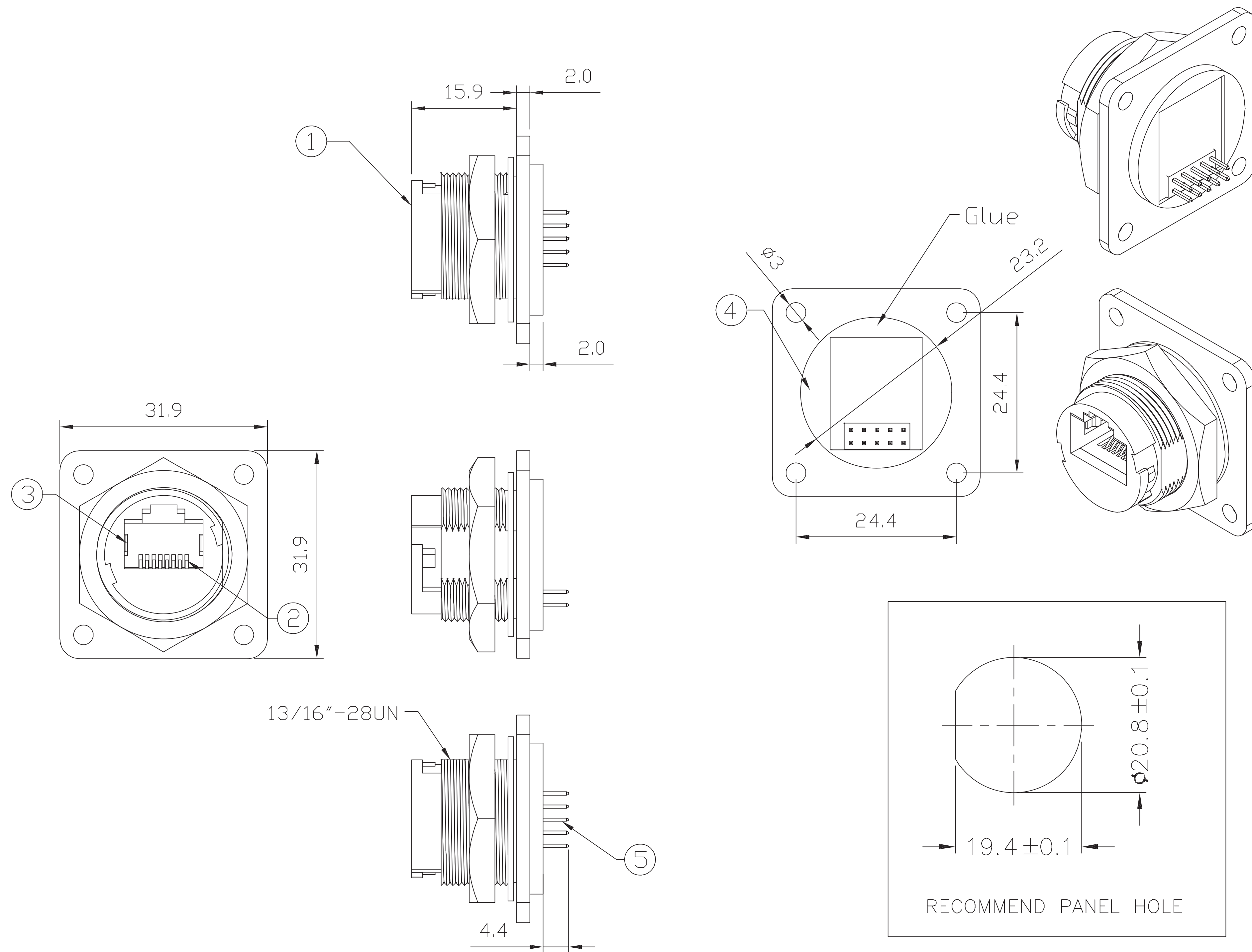
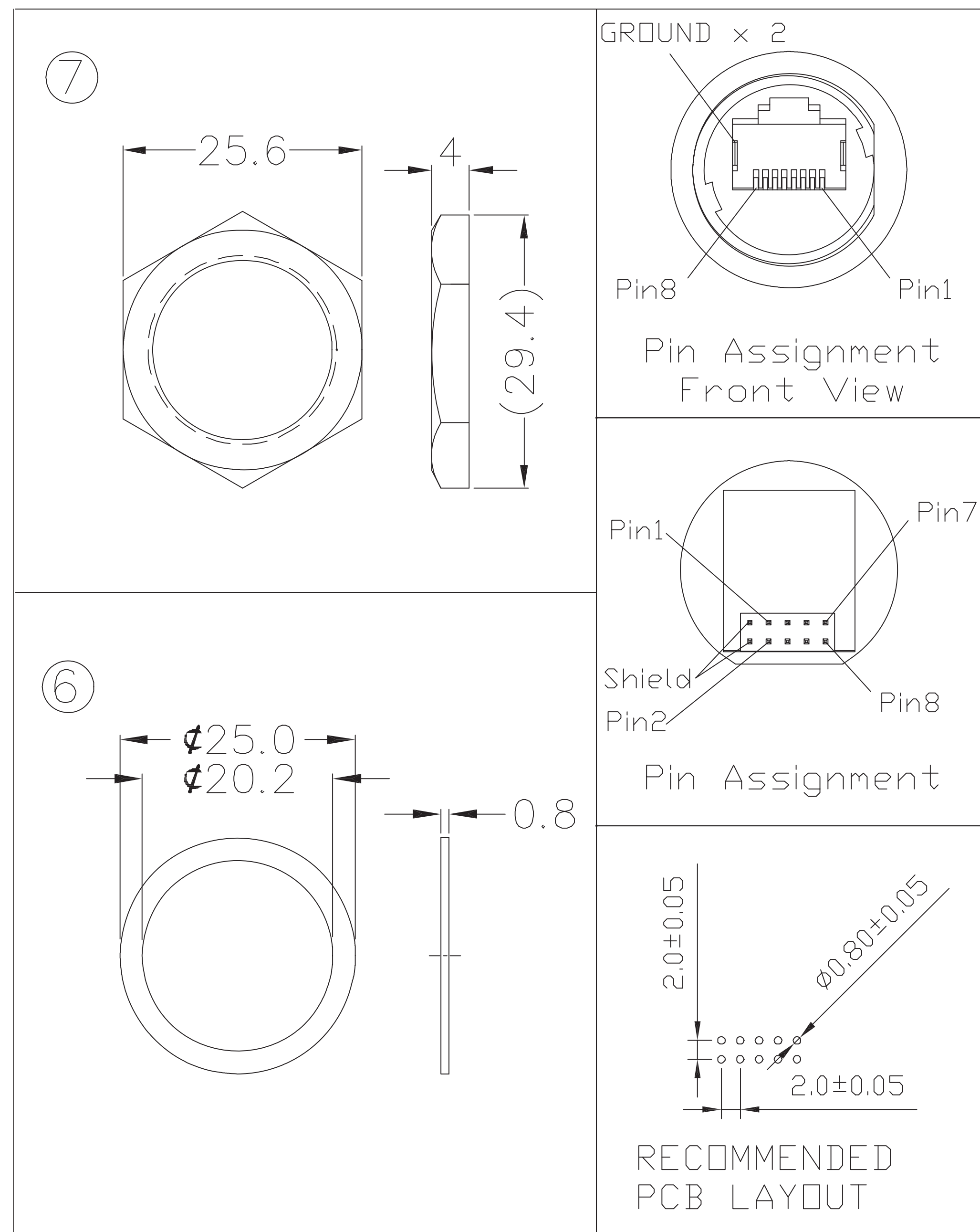


REV	ECN	DESCRIPTION	DATE	DRAWN	APPROVED
1		Initial Release	03-10-13	jld	FLiburdi

**CUSTOMER COPY**

**RoHS**



7	HEX NUT	NYLON+GF	BLACK	1	
6	GASKET	EPDM.	BLACK	1	
5	CONNECTOR	PIN HEADER,PITCH 2.0mm,5P*2ROW	BLACK	1	
4	PCB	FR4.DOUBLE SIDE,1.0mm THICKNESS.		1	
3	GROUND	GROUND CONTACT. SUS301		2	
2	CONTACT	RJ45 PIN CONTACT.phos.Bronze 50u" gold plating		8	
1	CONNECTOR	RJ-45 JACK CONNECTOR BODY.NYLON+GF	BLACK	1	
NO.	PART NAME	DESCRIPTION	COLOR	Q'TY	REMARKS

Drawing is subject to change without notice. Any updated information required, please contact with our sales dept.

**ElectronicLinks**  
international inc

THIS DOCUMENT SHALL NOT BE REPRODUCED, NDR SHALL THE INFORMATION CONTAINED HEREIN BE USED OR DISCLOSED TO OTHERS EXCEPT AS AUTHORIZED IN WRITING BY ELECTRONIC LINKS INTERNATIONAL, INC.

DESIGNED BY: SDR 02JUN05  
 CHECKED BY: XXX DD/MM/YY  
 APPROVED BY: XXX DD/MM/YY

UNLESS OTHERWISE NOTED:  
 DIMENSIONS IN MM  
 MATERIAL: AS NOTED  
 FINISH: AS NOTED  
 LINEAR: XX =  $\pm 0.1$   
 XXX =  $\pm 0.05$   
 XXXX =  $\pm 0.025$   
 XXXXX =  $\pm 0.0125$   
 ANGLES  $\pm$  0.2°  
 EDGE/CORNER BREAKS  
 OUTSIDE MAX. 0.5  
 INSIDE MAX. 0.15

**RJ45 Jack C Size Panel Conn.  
 Lock Type Square Flange**

SIZE	REV LEVEL	PART N
C	A	ELII A07114
SCALE	NONE	SHEET 1 of 1