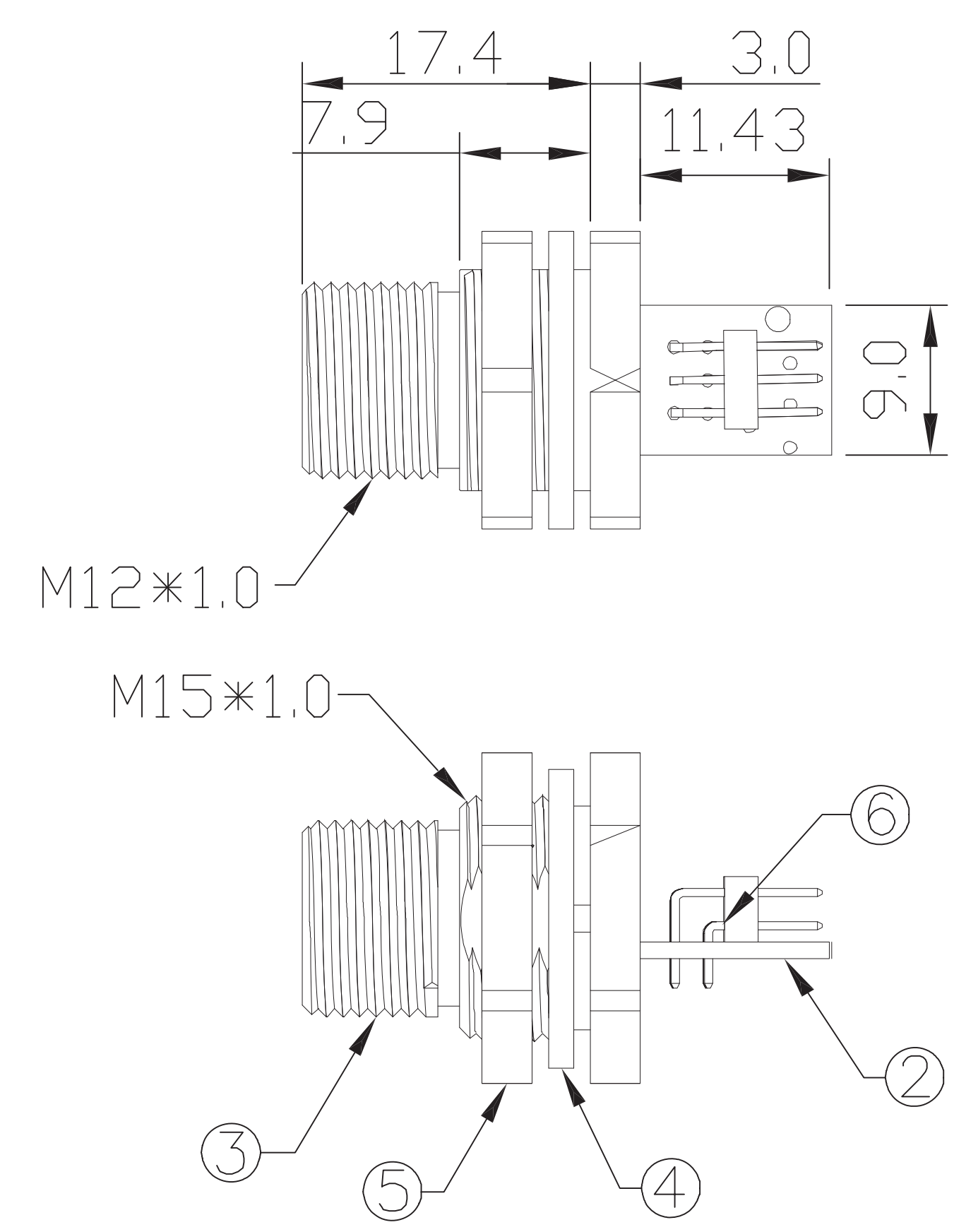
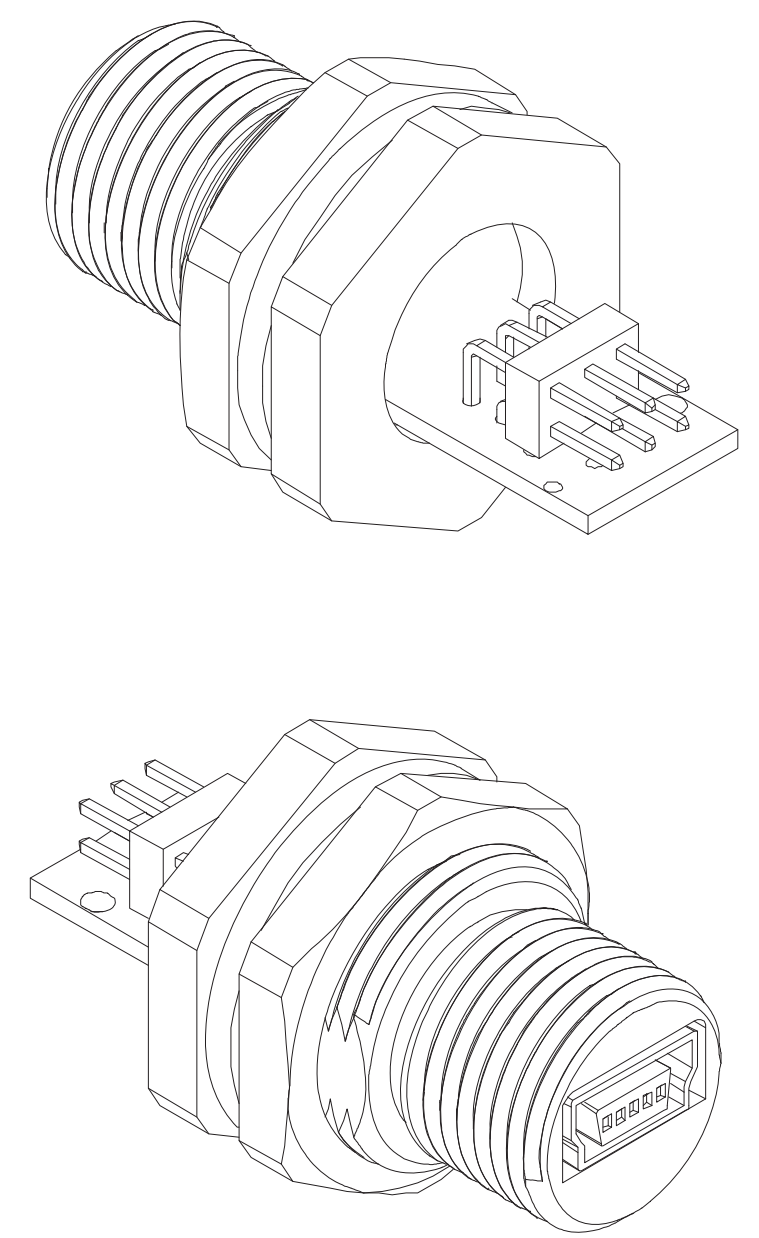


REV	ECN	DESCRIPTION	DATE	DRAWN	APPROVED
1		Initial Release	03-10-13	jld	FLiburdi

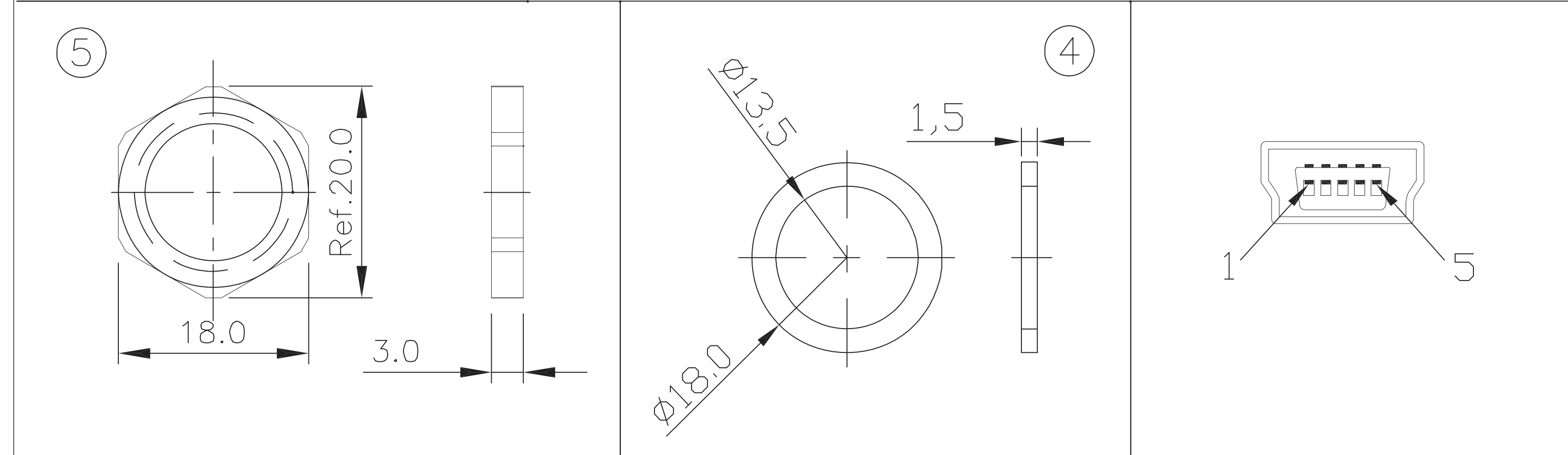
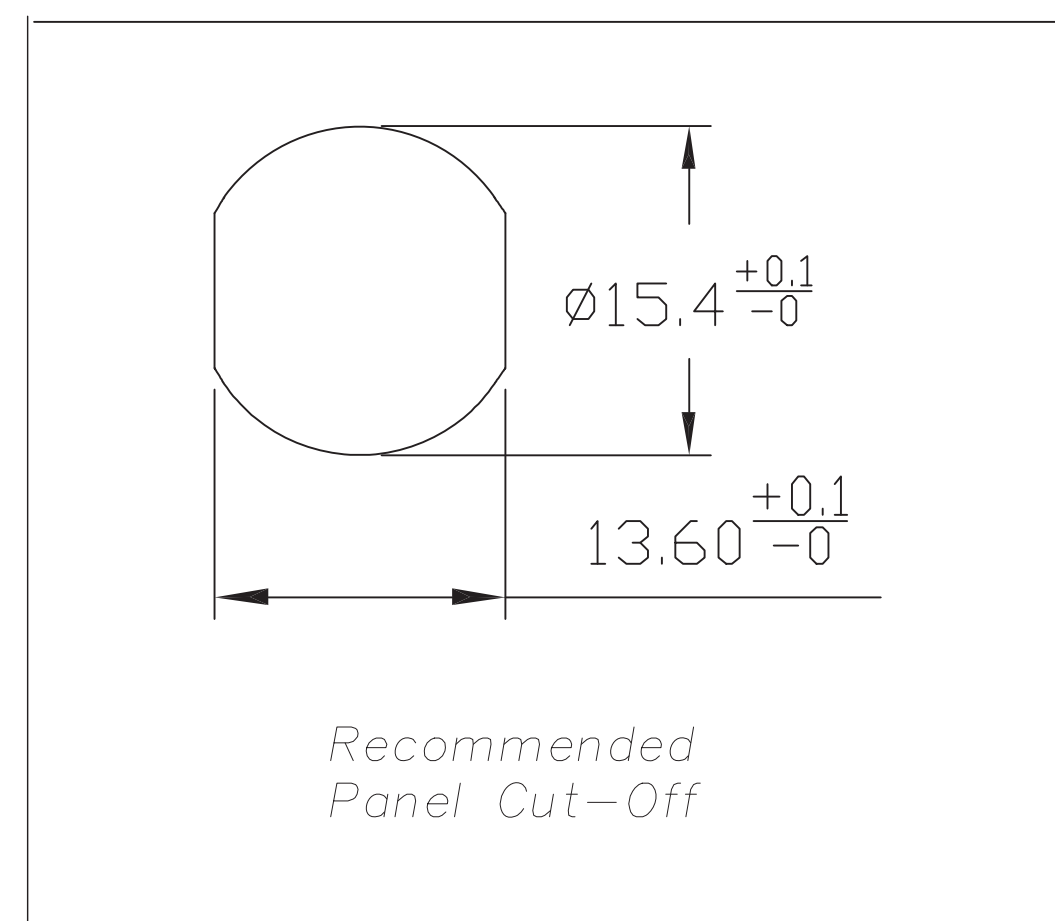
CUSTOMER COPY

RoHS



Specification:
 1.Current rating:1A Max.
 2.Dielectric withstanding voltage:
 100V(AC) for 1 Minute
 3.Contact resistance: 50mΩMax.
 4.Insulation resistance:100mΩMin.
 5.Temperature range: -20°c~+60°c
 6.IP rate:IP66~IP68.
 7.HOW TO ORDER: WPF-MINIB-F-05-V-P

V: Vertical
 R: Right angle
 P: PCB end
 C: Cable end



NO.	PART NAME	DESCRIPTION	COLOR	Q'TY	REMARKS
6	PIN HEADER	Pitch 2.0mm 5P*2Row.Right Angle Tyep	BLACK	1	
5	HEX NUT	NYLON+GF	BLACK	1	M12-PNUT-1510 (42-135-N6)
4	GASKET	EPDM	BLACK	1	M12-G
3	HOUSING	NYLON+GF	BLACK	1	127-135
2	PCB	Double Side PCB		1	MUSB-PCB
1	CONNECTOR	Mini USB B Type Female Connector	BLACK	1	UM94-05211E100-R

ElectronicLinks international inc

UNLESS OTHERWISE NOTED: DIMENSIONS IN MM

MATERIAL: AS NOTED

FINISH: AS NOTED

LINEAR: XXX = ±0.1, XXXX = ±0.05, XXXX = ±0.025, XXXXX = ±0.0125

DESIGNED BY: SDR 02JUN05

CHECKED BY: XXX DD/MM/YY

APPROVED BY: XXX DD/MM/YY

ANGLES ±: 0.2°

EDGE/CORNER BREAKS: OUTSIDE MAX. 0.5, INSIDE MAX. 0.15

USB Mini B 5P Female Connector		
SIZE C	REV LEVEL A	PART N ELII A07113
SCALE NONE		SHEET 1 of 1

Drawing is subject to change without notice. Any updated information required, please contact with our sales dept.