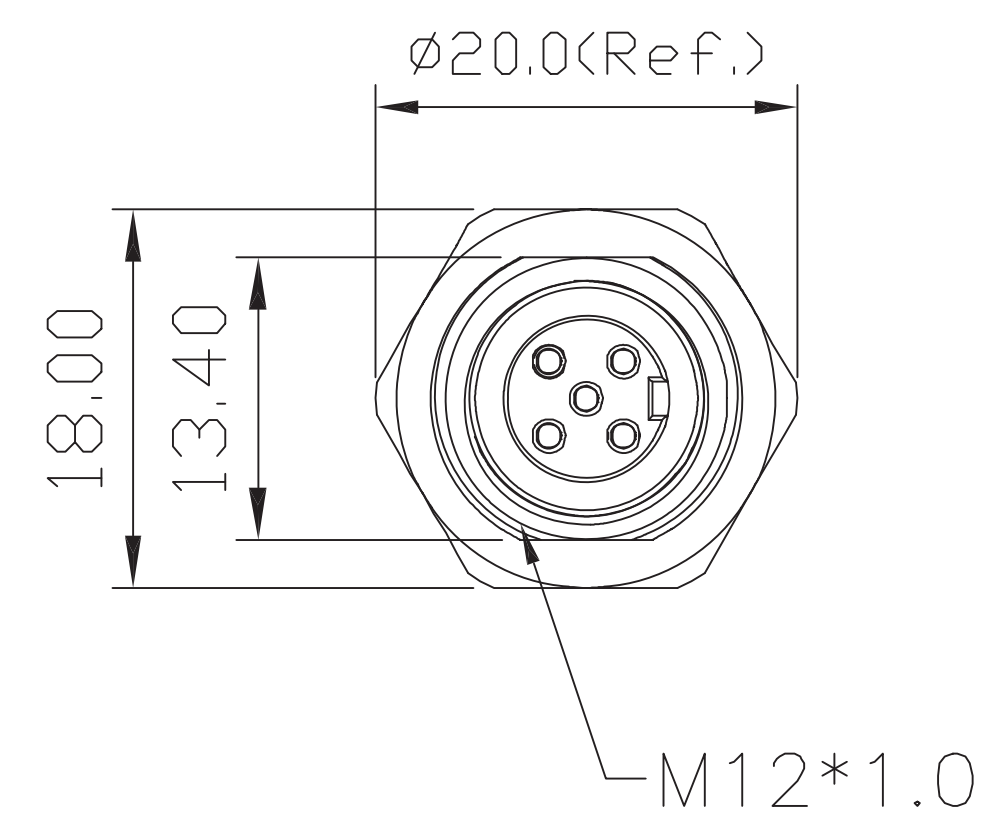
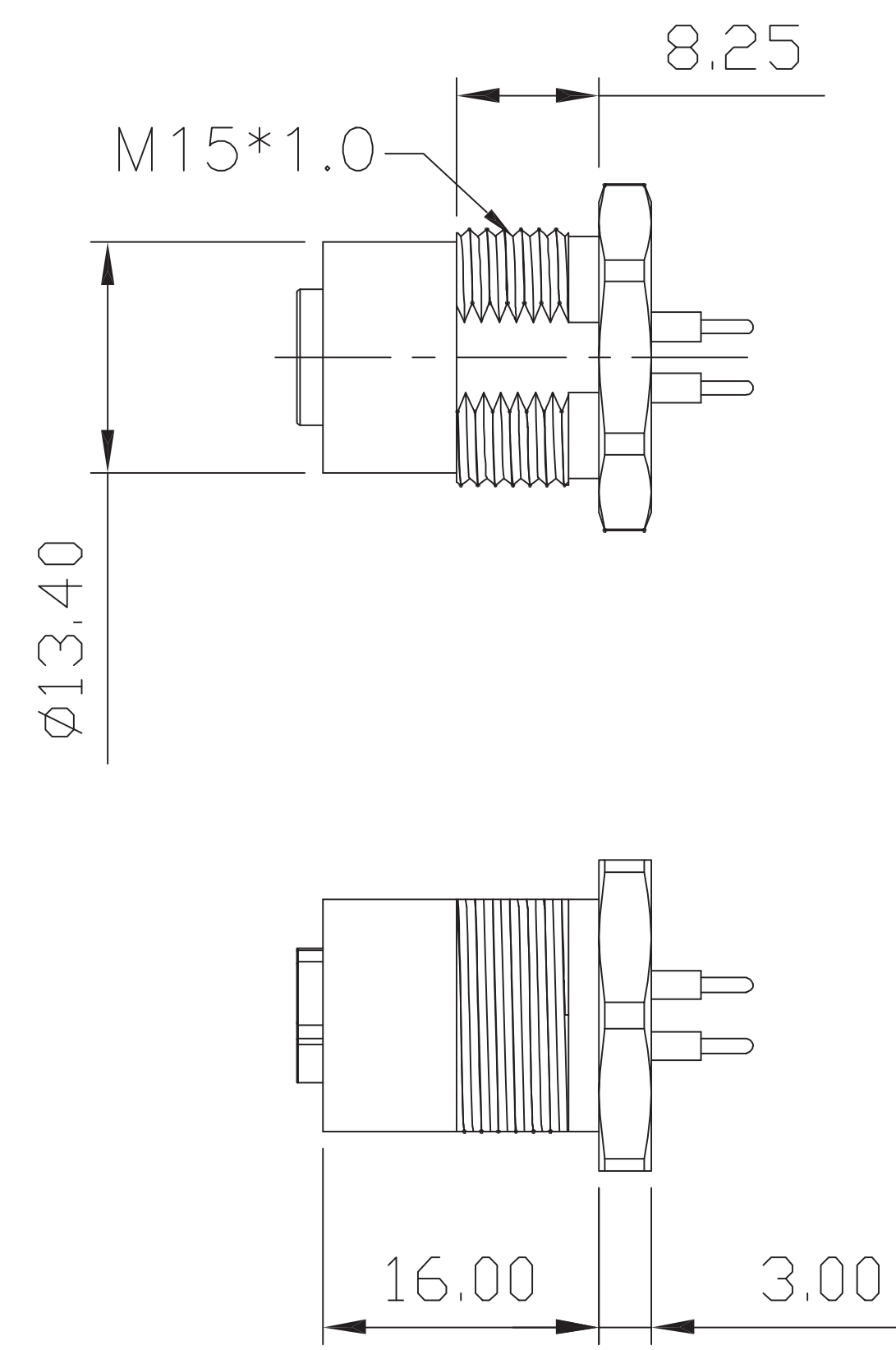
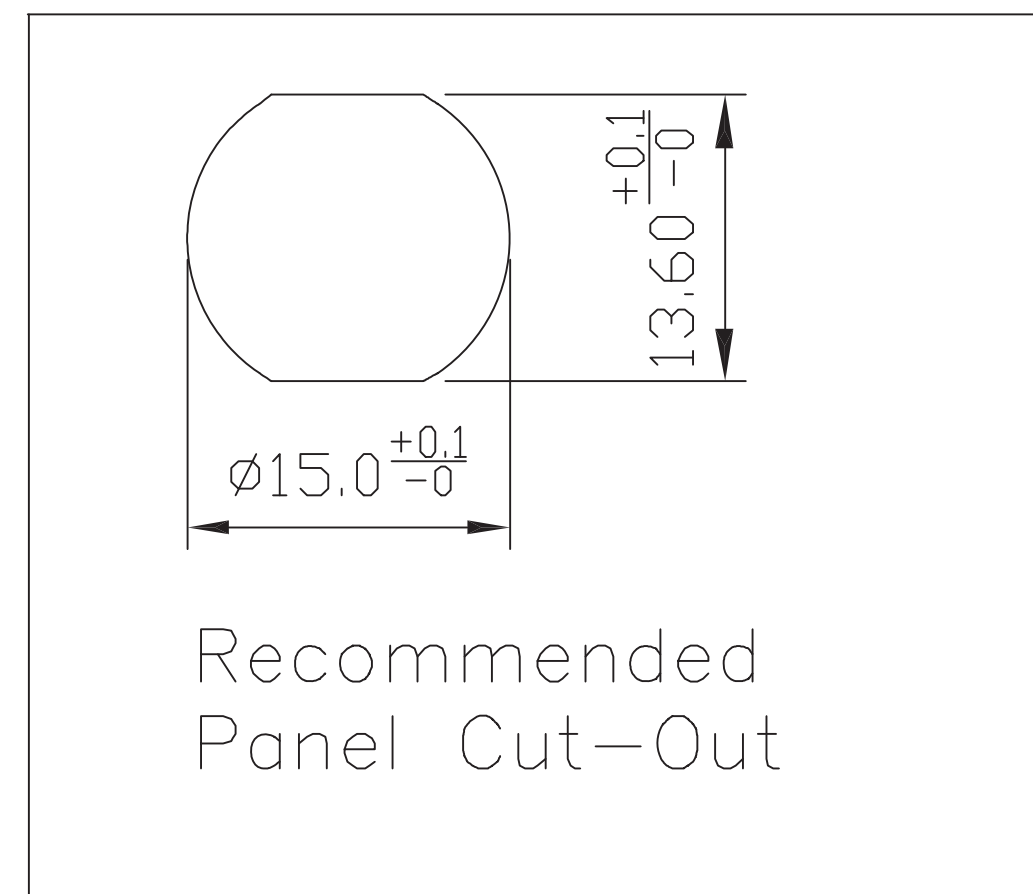


REV	ECN	DESCRIPTION	DATE	DRAWN	APPROVED
1		Initial Release	03-10-13	jld	FLiburdi

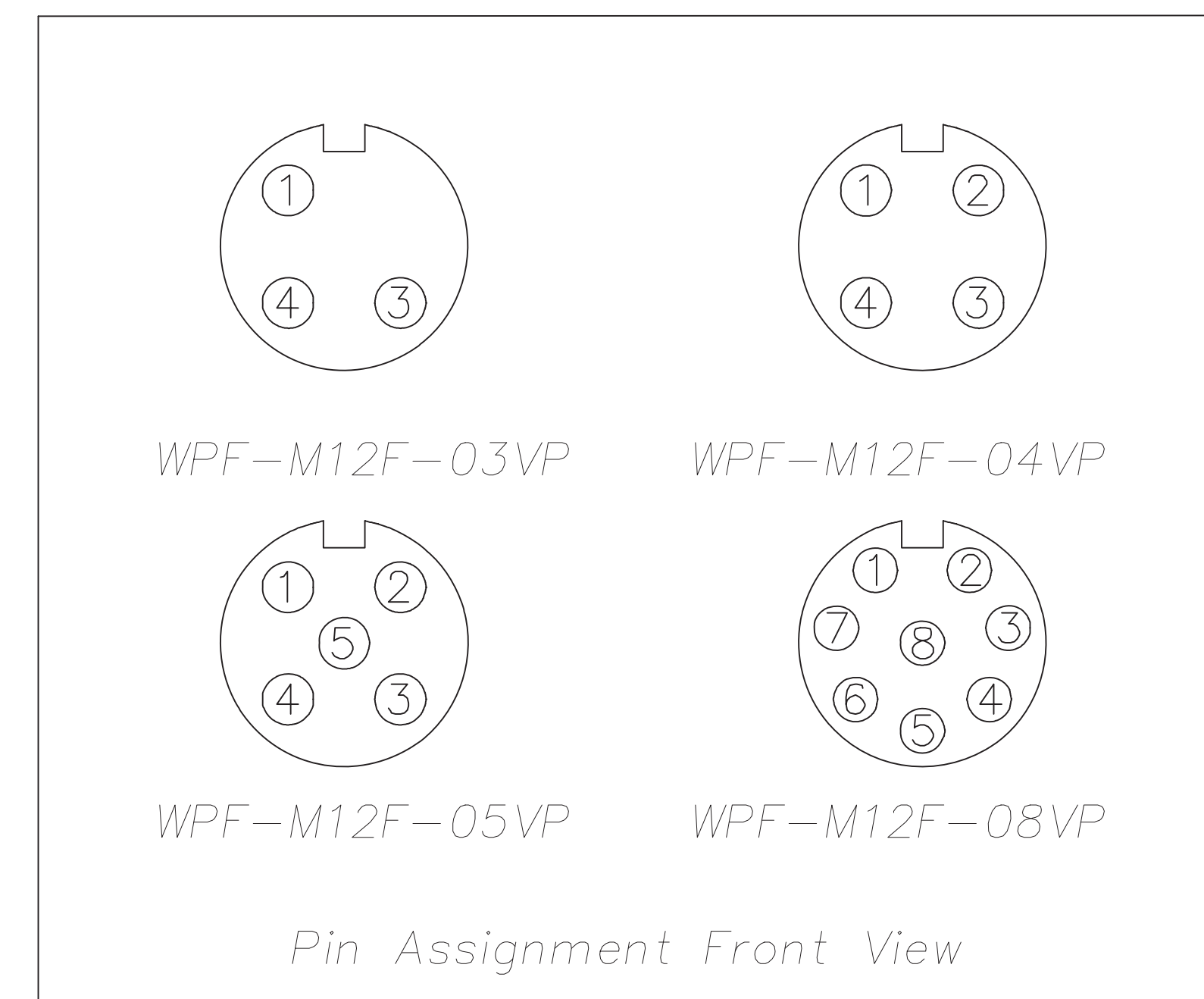
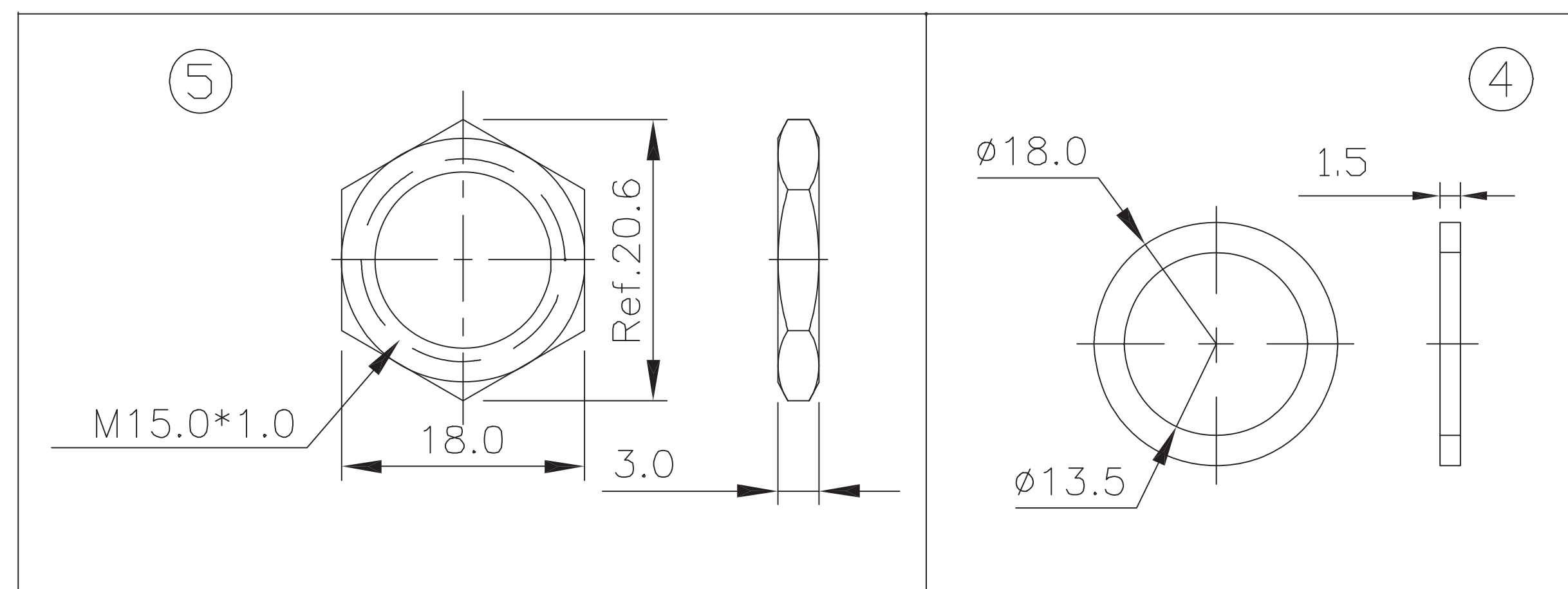
CUSTOMER COPY

RoHS



NOTES:
 1.ELECTRICAL CHARACTERISTICS;
 CURRENT RATING: 2A/5A
 TEMPERATURE RANGE: -25°C TO +85°C
 DIELECTRIC WITHSTANDING VOLTAGE:
 500V AC FOR ONE MINUTE
 2.HOW TO ORDER: WPF-M12-F-XX-V-P

P: PCB END
 C: CABLE END
 A: CABLE ASS'Y EDN
 V: VERTICAL
 R: RIGHT ANGLE
 03: 03PIN
 04: 04PIN
 05: 05PIN
 08: 08PIN



NO.	PART NAME	DESCRIPTION	COLOR	Q'TY	REMARKS
5	HEX NUT	BRASS,NICKEL PLATED.		1	
4	GASKET	SANTOPRENE	BLACK	1	
3	HOUSING	BRASS,NICKEL PLATED.		1	
2	CONTACT	BRASS,6u"Gold plated.Female Contact		N	
1	CONNECTOR	M12 D-Coding Female connector insert	BLACK	1	

Drawing is subject to change without notice. Any updated information required, please contact with our sales dept.

ElectronicLinks
international inc

UNLESS OTHERWISE NOTED:
 DIMENSIONS IN MM
 MATERIAL: AS NOTED
 FINISH: AS NOTED
 LINEAR: XXX = ±0.1
 XXX = ±0.05
 X.XXX = ±0.025
 X.XXXX = ±0.0125

M12 Female Connector Rear Mount Hex Flange PCB Pin

DESIGNED BY: SDR 02JUN05
 CHECKED BY: XXX DD/MM/YY
 APPROVED BY: XXX DD/MM/YY
 ANGLES ±: 0.2°
 EDGE/CORNER BREAKS
 OUTSIDE MAX.: 0.5
 INSIDE MAX.: 0.15

SIZE: C REV LEVEL: A PART N: ELII A07112
 SCALE: NONE SHEET: 1 of 1