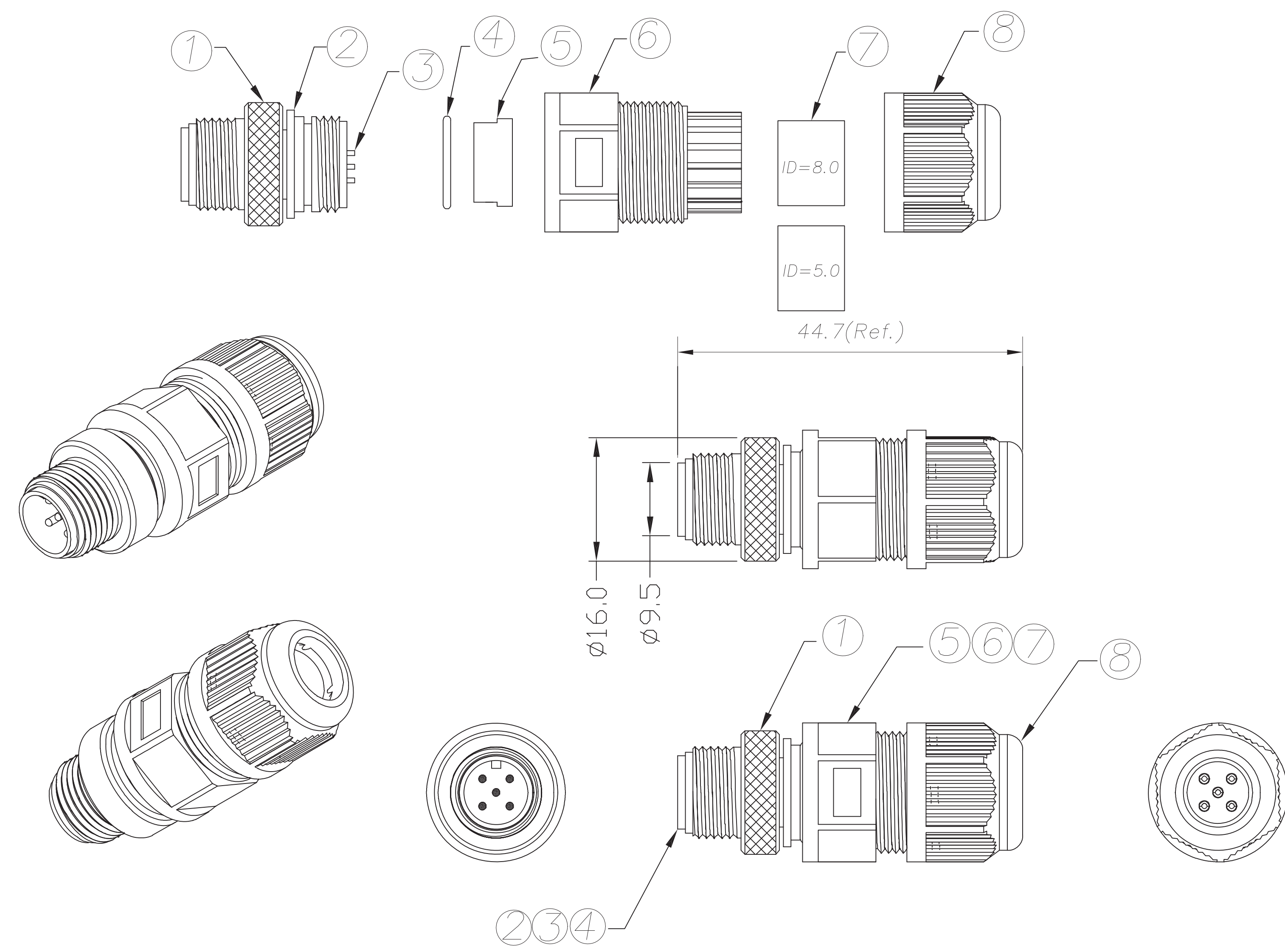


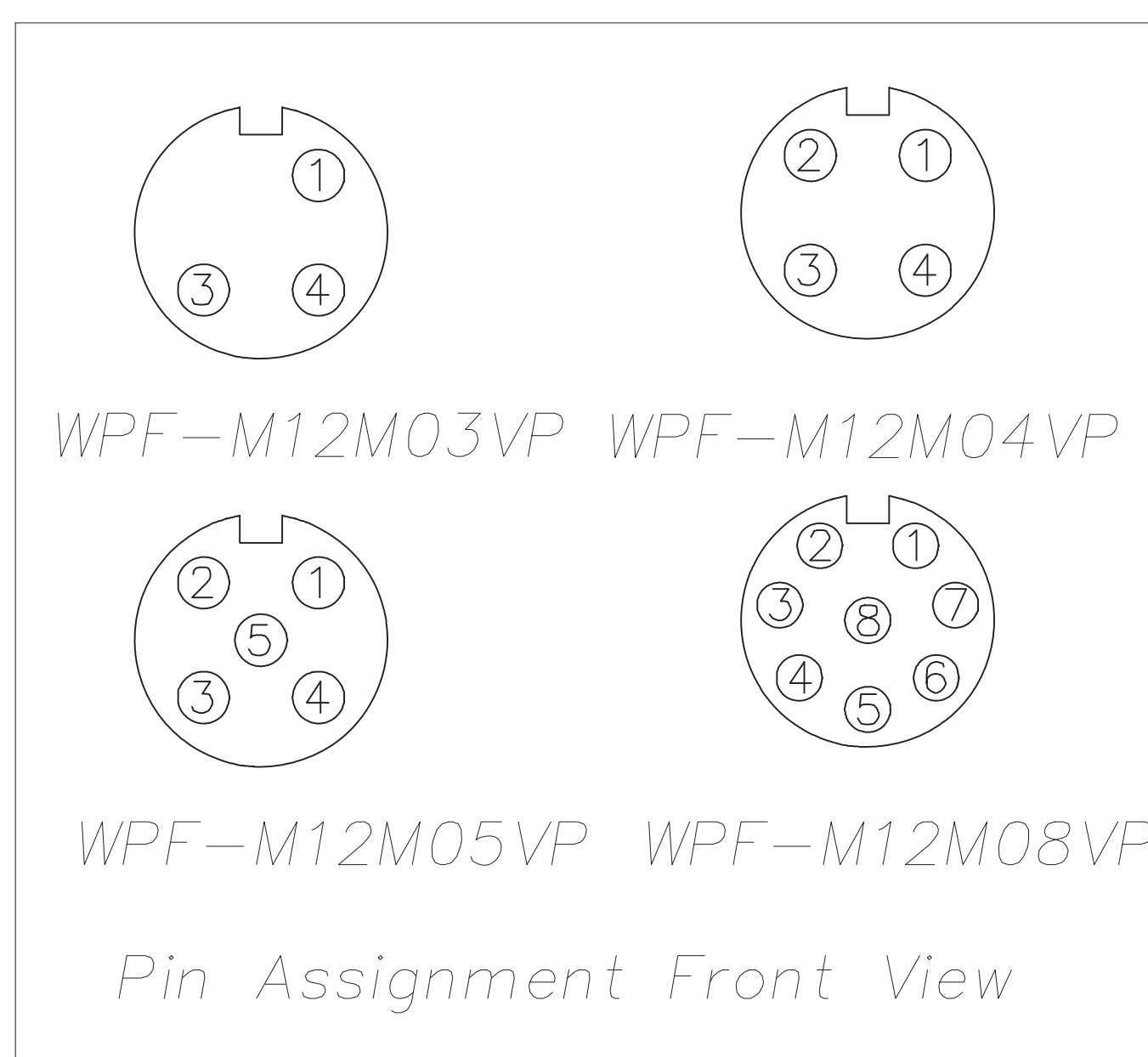
REV	ECN	DESCRIPTION	DATE	DRAWN	APPROVED
1		Initial Release	03-10-13	jld	FLiburdi

CUSTOMER COPY

RoHS



NOTES:
 1.ELECTRICAL CHARACTERISTICS;
 CURRENT RATING: 2A/5A
 TEMPERATURE RANGE: -25°C TO+85°C
 DIELECTRIC WITHSTANDING VOLTAGE;
 500V AC FOR ONE MINUTE
 2.HOW TO ORDER: WPF-M12-M-XX-V-A



P: PCB END
 C: CABLE END
 A: CABLE ASS'Y EDN
 V: VERTICAL
 R: RIGHT ANGLE
 03: 03PIN
 04: 04PIN
 05: 05PIN
 08: 08PIN

8	CLAMP NUT	NYLON.	BLACK	1	
7	SEAL	SANTOPRENE(ID=5.0&8.0mm)	BLACK	2	
6	BODY	NYLON.	BLACK	1	
5	GASKET	SANTOPRENE	BLACK	1	
4	O-RING	SILICON	BLACK	1	
3	CONTACT	BRASS,MALE PIN.6u" GOLD PLATED		N	
2	CONNECTOR	M12,MALE NYLON+GF	BLACK	1	
1	SCREW NUT	BRASS,NICKEL PLATED		1	
NO.	PART NAME	DESCRIPTION	COLOR	Q'TY	REMARKS

Drawing is subject to change without notice. Any updated information required, please contact with our sales dept.

ElectronicLinks
 international inc

THIS DOCUMENT SHALL NOT BE REPRODUCED, NDR SHALL THE INFORMATION CONTAINED HEREIN BE USED OR DISCLOSED TO OTHERS EXCEPT AS AUTHORIZED IN WRITING BY ELECTRONIC LINKS INTERNATIONAL, INC.

DESIGNED BY: SDR 02JUN05
 CHECKED BY: XXX DD/MM/YY
 APPROVED BY: XXX DD/MM/YY

UNLESS OTHERWISE NOTED:
 DIMENSIONS IN MM
 MATERIAL: AS NOTED
 FINISH: AS NOTED
 LINEAR: .XX = ±0.1
 .XXX = ±0.05
 .XXXX = ±0.025
 .XXXXX = ±0.0125
 ANGLES ± 0.2°
 EDGE / CORNER BREAKS
 OUTSIDE MAX. 0.5
 INSIDE MAX. 0.15

M12 Male Assembly Plug

SIZE C REV LEVEL A PART N ELII A07111 SCALE NONE SHEET 1 of 1