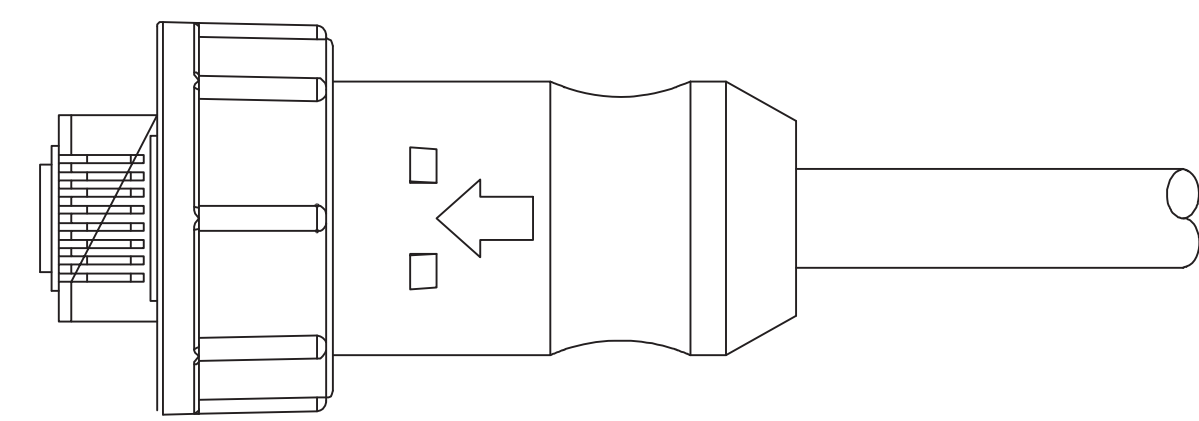
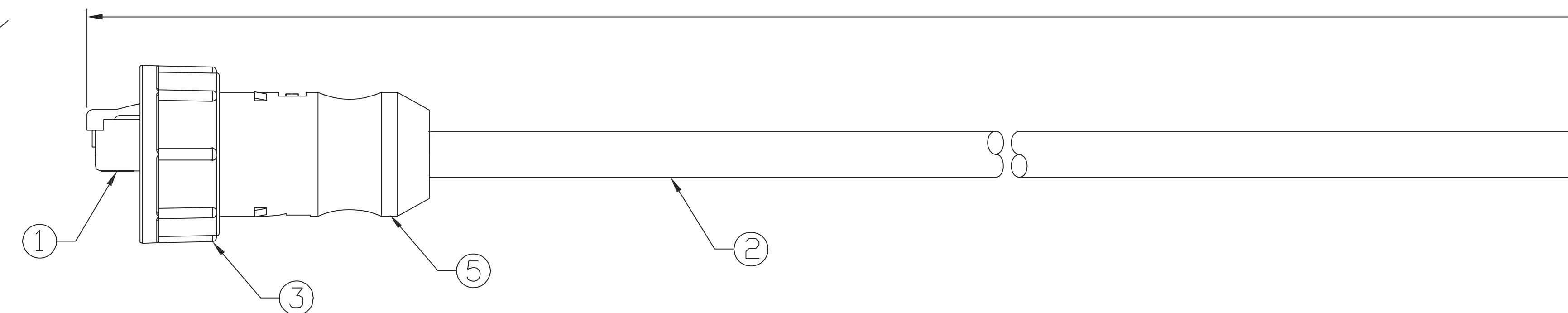
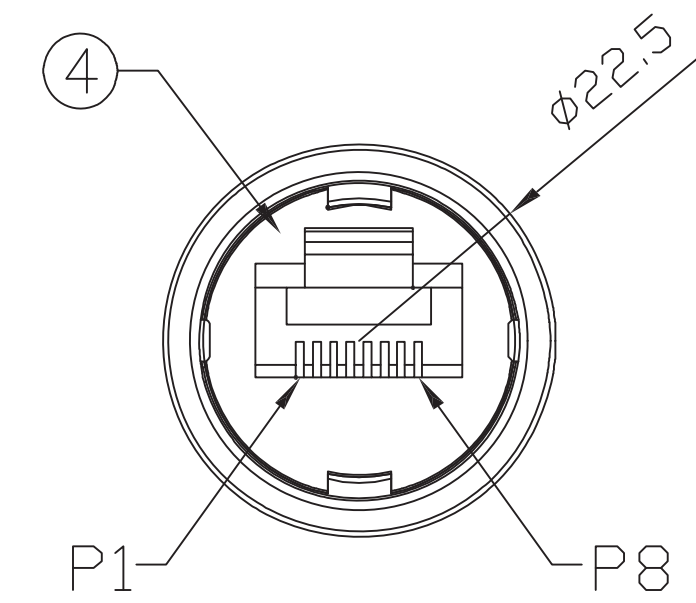
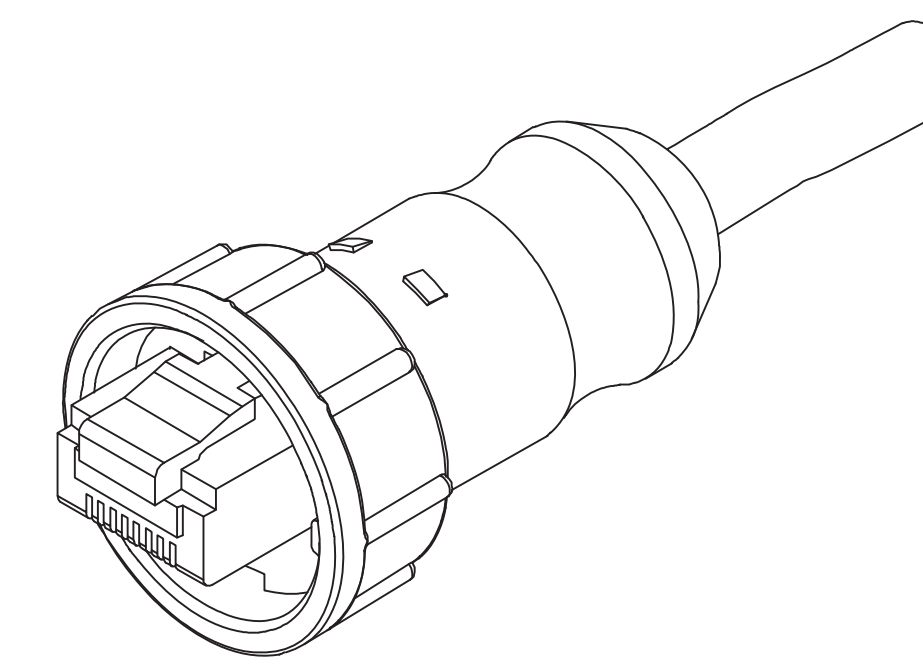
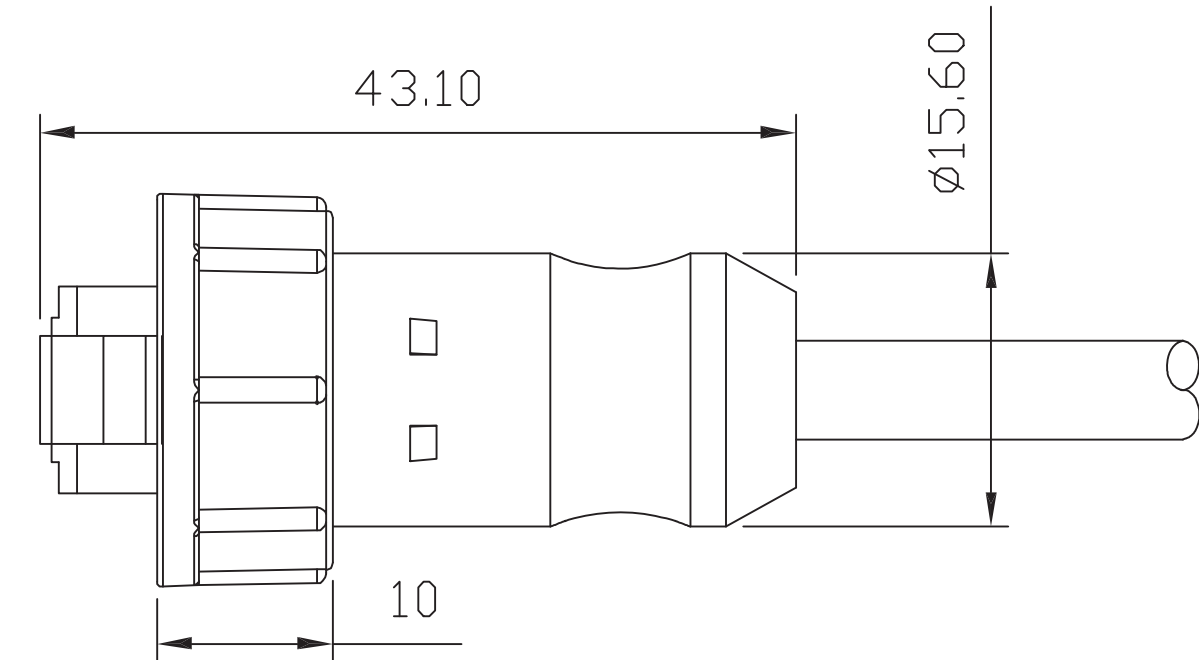


REV	ECN	DESCRIPTION	DATE	DRAWN	APPROVED
1		Initial Release	03-10-13	jld	FLiburdi

CUSTOMER COPY

RoHS



WIRING DIAGRAM

RJ45 PLUG



5	HOOD	PVC OVERMOLDING	BLACK	2	71-135
4	GASKET	SANTOPRENE	BLACK	1	46-135
3	LOCK NUT	NYLON+GF	BLACK	1	69-135-N2
2	CABLE	CAT.5E 24AWG x 4P,FTP	BLACK	1	84-135
1	PLUG	RJ-45 8P8C SHIELDED PLUG 6u" GOLD PLATED		1	
NO.	PART NAME	DESCRIPTION	COLOR	Q'TY	REMARKS

Drawing is subject to change without notice. Any updated information required, please contact with our sales dept.

		UNLESS OTHERWISE NOTED: DIMENSIONS IN MM		RJ45 Plug Lock Type Cable	
		MATERIAL: AS NOTED			
<small>THIS DOCUMENT SHALL NOT BE REPRODUCED, NOR SHALL THE INFORMATION CONTAINED HEREIN BE USED OR DISCLOSED TO OTHERS EXCEPT AS AUTHORIZED IN WRITING BY ELECTRONIC LINKS INTERNATIONAL, INC.</small>		FINISH: AS NOTED		SIZE C REV LEVEL A PART N	
DESIGNED BY: SDR 02JUN05		ANGLES ± 0.2°		ELII A07105	
CHECKED BY: XXX DD/MM/YY		EDGE / CORNER BREAKS		SCALE NONE	
APPROVED BY: XXX DD/MM/YY		OUTSIDE MAX. 0.5 INSIDE MAX. 0.15		SHEET 1 of 1	