

REV	ECN	DESCRIPTION	DATE	DRAWN	APPROVED
1		Initial Release	03-10-13	jld	FLiburdi

CUSTOMER COPY

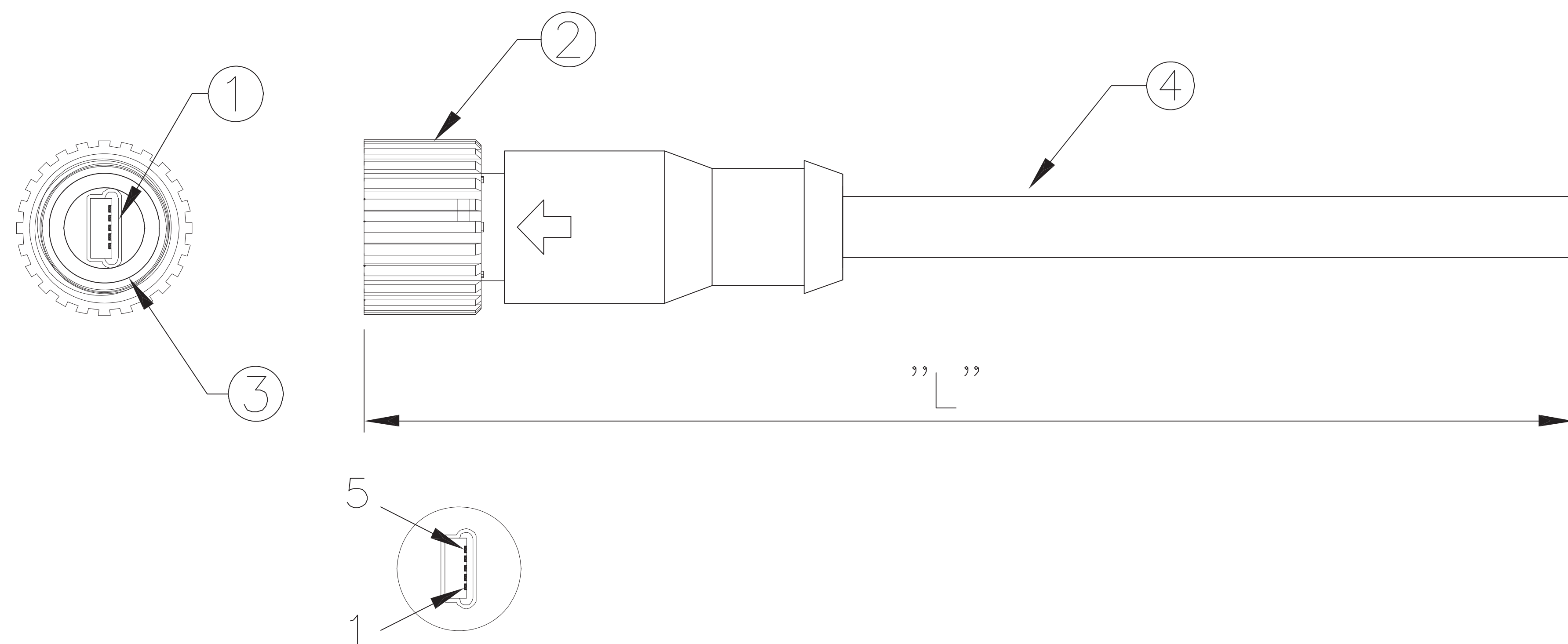
RoHS

Specification:

1. Current rating: 1A Max.
2. Dielectric withstanding voltage: 100V(AC) for 1 Minute
3. Contact resistance: 50m Max.
4. Insulation resistance: 100m Min.
5. Temperature range: -20°C~+80°C
6. IP rate: IP66~IP68.

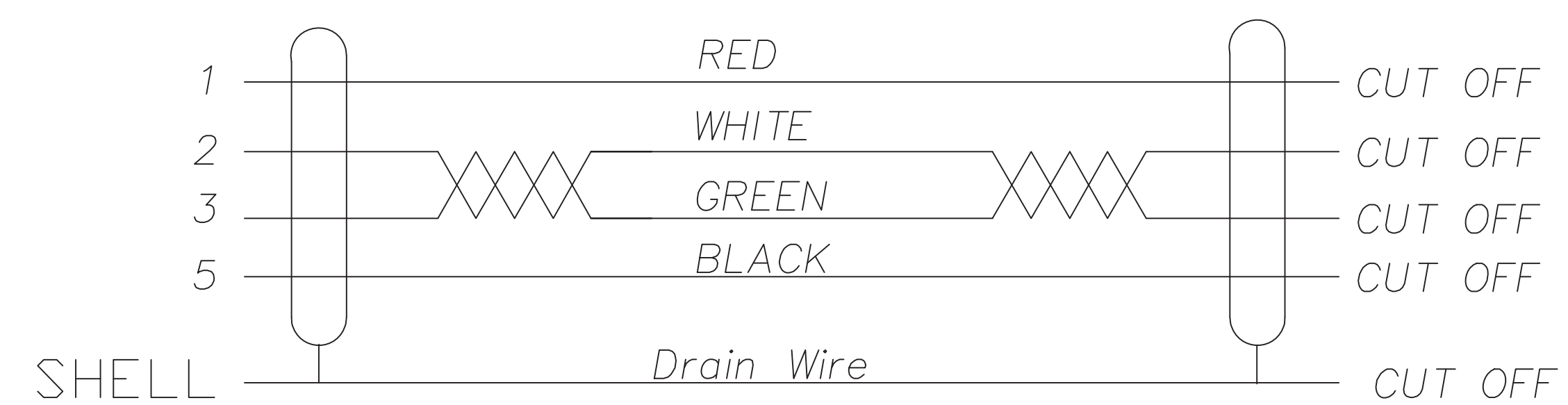
7. HOW TO ORDER: WPF-MINIB-M-05-V-C

P: PCB end
C: Cable end
V: Vertical
R: Right angle



Pin assignment Front View

WIRING DIAGRAM



NO.	PART NAME	DESCRIPTION	COLOR	Q'TY	REMARKS
4	CABLE	USB2.0 28AWG*2C+20AWG*2C, BLACK OD: 5.2	BLACK	1	
3	O-RING	NBR.	BLACK	1	
2	RING NUT	NYLON+GF		1	
1	CONNECTOR	MINI USB B TYPE MALE 5 PIN CONNECTOR.	BLACK	1	

Drawing is subject to change without notice. Any updated information required, please contact with our sales dept.

ElectronicLinks
international inc

UNLESS OTHERWISE NOTED:
DIMENSIONS IN MM

MATERIAL: AS NOTED

FINISH: AS NOTED

LINEAR: X.X = ±0.1
X.XX = ±0.05
X.XXX = ±0.025
X.XXXX = ±0.0125

DESIGNED BY: SDR 02JUN05

CHECKED BY: XXX DD/MM/YY

APPROVED BY: XXX DD/MM/YY

ANGLES ± 0.2°

EDGE/CORNER BREAKS OUTSIDE MAX. 0.5

INSIDE MAX. 0.15

Mini USB B 5M Molded Cable

SIZE C A

REV LEVEL A

SCALE NONE

PART N

ELII A07104

SHEET 1 of 1