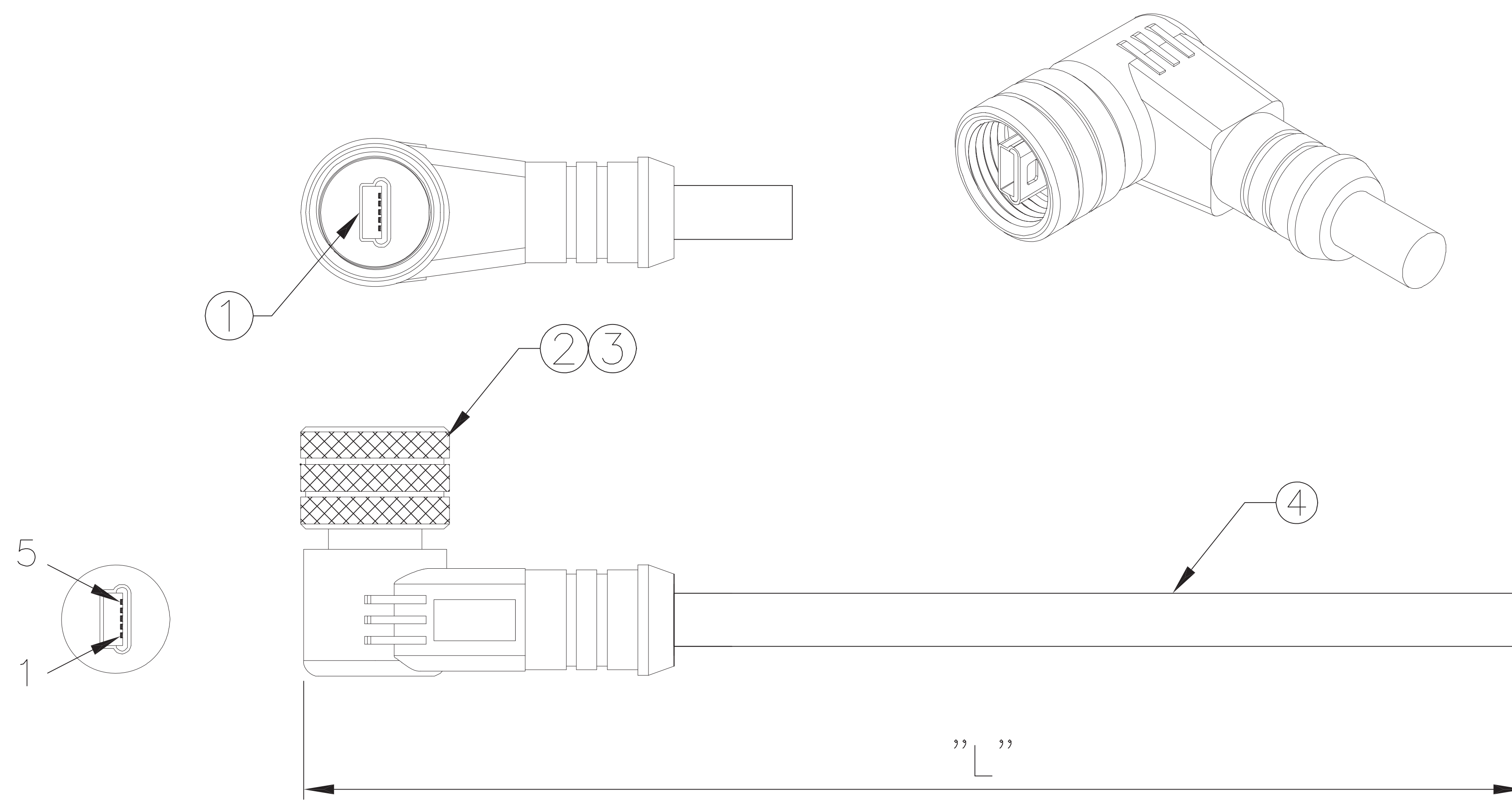


REV	ECN	DESCRIPTION	DATE	DRAWN	APPROVED
1		Initial Release	03-10-13	jld	FLiburdi

CUSTOMER COPY

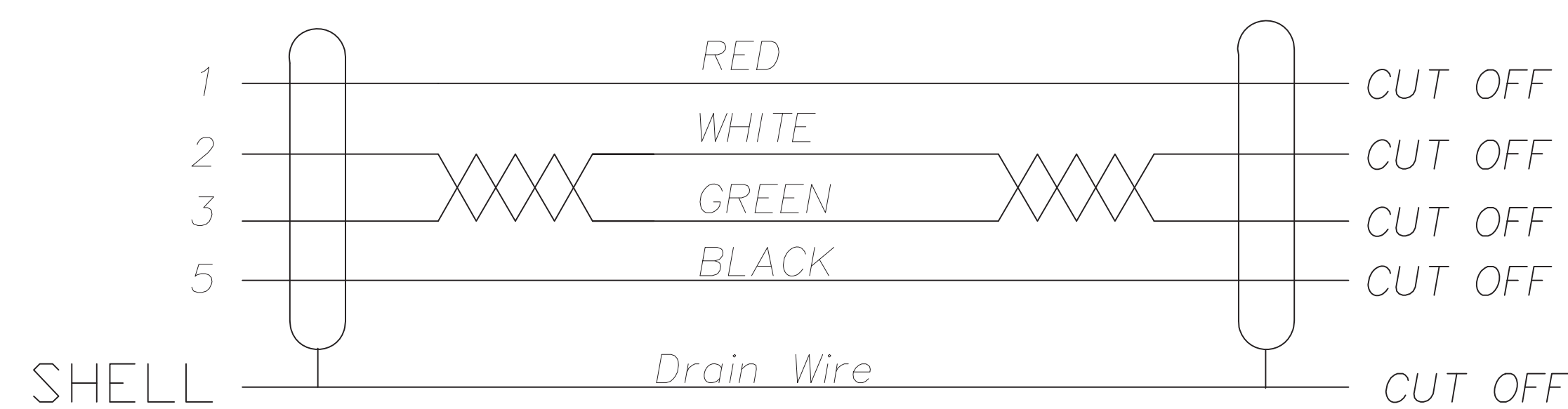
RoHS



- Specification:
- 1.Current rating:1A Max.
 - 2.Dielectric withstanding voltage: 100V(AC) for 1 Minute
 - 3.Contact resistance: 50m Max.
 - 4.Insulation resistance: 100m Min.
 - 5.Temperature range: -20°C~+80°C
 - 6.IP rate: IP66~IP68.
 - 7.HOW TO ORDER: WPF-MINIB-M-05-R-C

P: PCB end
C: Cable end
V: Vertical
R: Right angle

WIRING DIAGRAM



NO.	PART NAME	DESCRIPTION	COLOR	Q'TY	REMARKS
4	CABLE	USB2.0 28AWG*2C+20AWG*2C,BLACK OD: 5.2	BLACK	1	
3	O-RING	NBR.	BLACK	1	
2	RING NUT	BRASS,NICKEL PLATED		1	
1	CONNECTOR	MINI USB B TYPE MALE 5 PIN CONNECTOR.	BLACK	1	

Drawing is subject to change without notice. Any updated information required, please contact with our sales dept.

ElectronicLinks international inc		UNLESS OTHERWISE NOTED: DIMENSIONS IN MM		Mini USB B 5M R/A Molded Cable	
THIS DOCUMENT SHALL NOT BE REPRODUCED, NDR SHALL THE INFORMATION CONTAINED HEREIN BE USED OR DISCLOSED TO OTHERS EXCEPT AS AUTHORIZED IN WRITING BY ELECTRONIC LINKS INTERNATIONAL, INC.		MATERIAL: AS NOTED			
DESIGNED BY: SDR 02JUN05		FINISH: AS NOTED		SIZE	REV LEVEL
CHECKED BY: XXX DD/MM/YY		LINEAR: X.X = ±0.1 X.XX = ±0.05 X.XXX = ±0.025 X.XXXX = ±0.0125		C	A
APPROVED BY: XXX DD/MM/YY		EDGE / CORNER BREAKS		PART N	
		ANGLES ± 0.2°		ELII A07102	
		OUTSIDE MAX. 0.5		SCALE	NONE
		INSIDE MAX. 0.15		SHEET 1 of 1	