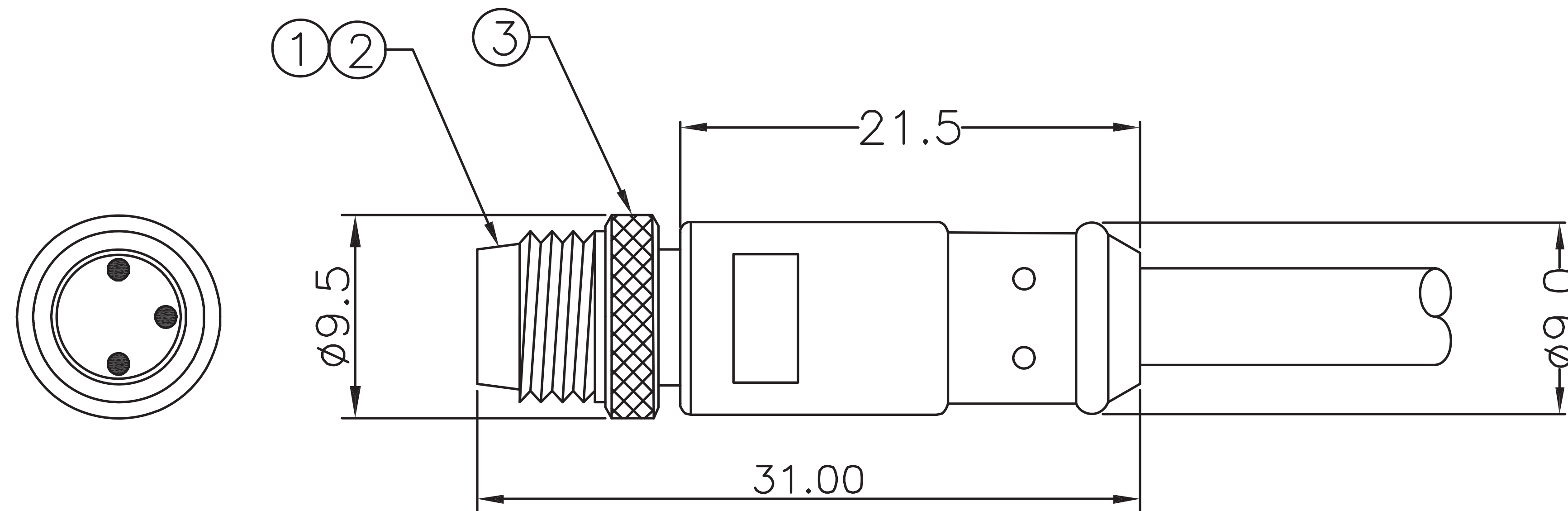


REV	ECN	DESCRIPTION	DATE	DRAWN	APPROVED
1		Initial Release	03-10-13	jld	FLiburdi

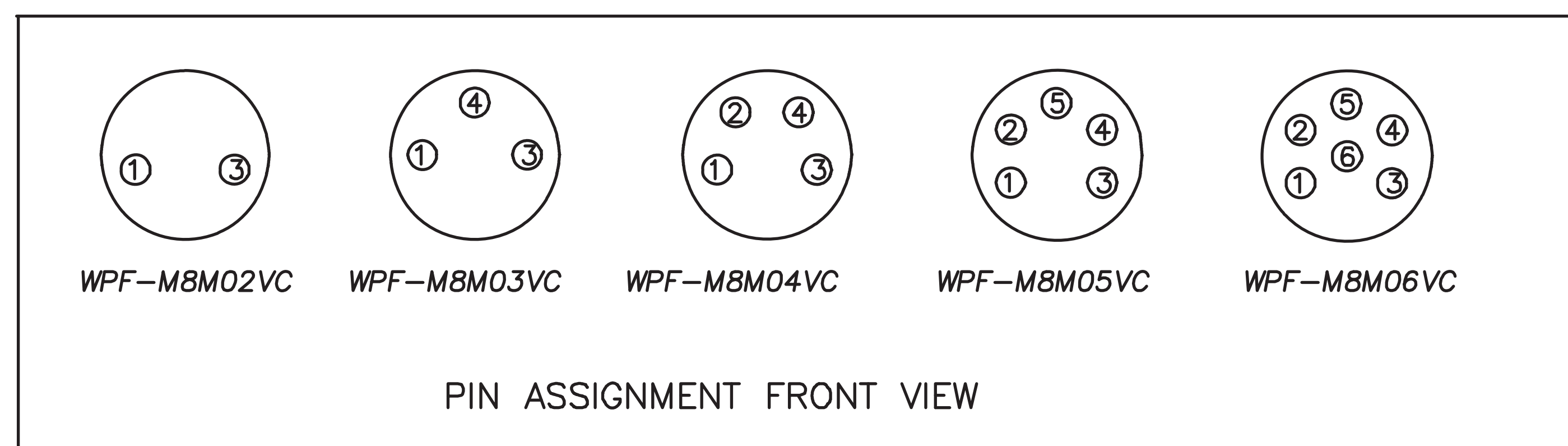
**CUSTOMER COPY**

**RoHS**



NOTES:  
 1.ELECTRICAL CHARACTERISTICS;  
 CURRENT RATING: 2A/5A  
 TEMPERATURE RANGE: -25°C TO +85°C  
 DIELECTRIC WITHSTANDING VOLTAGE:  
 500V AC FOR ONE MINUTE  
 2.HOW TO ORDER: WPF-M8-M-XX-X-X

P: PCB end  
 C: Cable end  
 V: Vertical  
 R: Right angle  
 02-2PIN  
 03-3PIN  
 04-4PIN  
 05-5PIN  
 06-6PIN



NO.	PART NAME	DESCRIPTION	COLOR	Q'TY	REMARKS
3	RING NUT	BRASS,NICKEL PLATED		1	
2	CONTACT	BRASS, Male pin, 6u" Gold plated.		N	
1	CONNECTOR	M8 Male connector insert	BLACK	1	

Drawing is subject to change without notice. Any updated information required, please contact with our sales dept.

<b>ElectronicLinks</b> international inc		UNLESS OTHERWISE NOTED: DIMENSIONS IN MM		<b>M8 Male Molded Cable Assembly</b>	
MATERIAL: AS NOTED		FINISH: AS NOTED			
THIS DOCUMENT SHALL NOT BE REPRODUCED, NOR SHALL THE INFORMATION CONTAINED HEREIN BE USED OR DISCLOSED TO OTHERS EXCEPT AS AUTHORIZED IN WRITING BY ELECTRONIC LINKS INTERNATIONAL, INC.		LINEAR	XX = ±0.1 XXX = ±0.05 X.XXX = ±0.025 X.XXXX = ±0.0125	ANGLES ±	0.2°
DESIGNED BY:	SDR	02JUN05	EDGE/ CORNER BREAKS	OUTSIDE MAX.	0.5
CHECKED BY:	XXX	DD/MM/YY	INSIDE MAX.	0.15	
APPROVED BY:	XXX	DD/MM/YY	SCALE	NONE	
SIZE C			REV LEVEL	A	PART N
			ELII A07101		SHEET 1 of 1