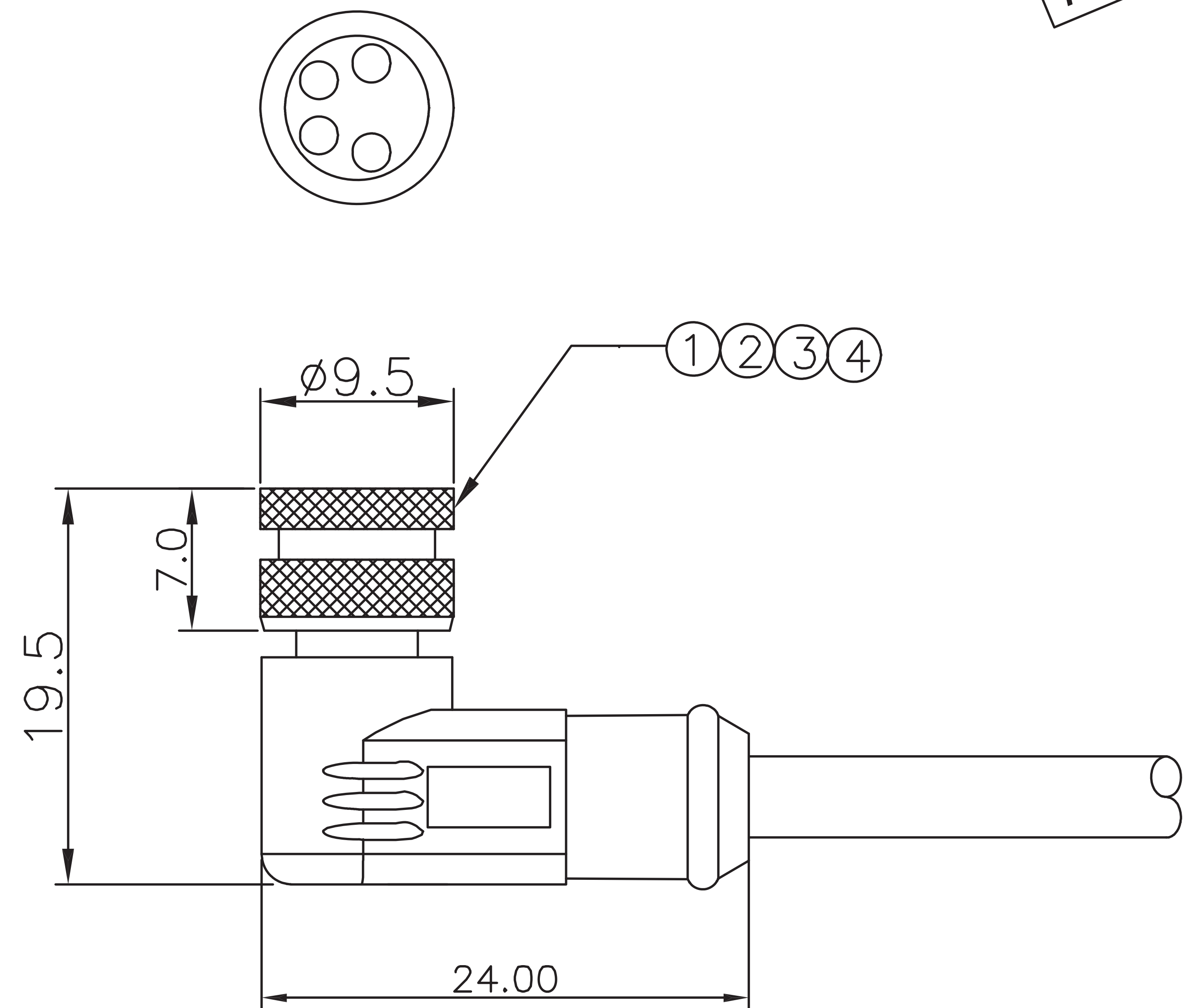


REV	ECN	DESCRIPTION	DATE	DRAWN	APPROVED
1		Initial Release	03-10-13	jld	FLiburdi

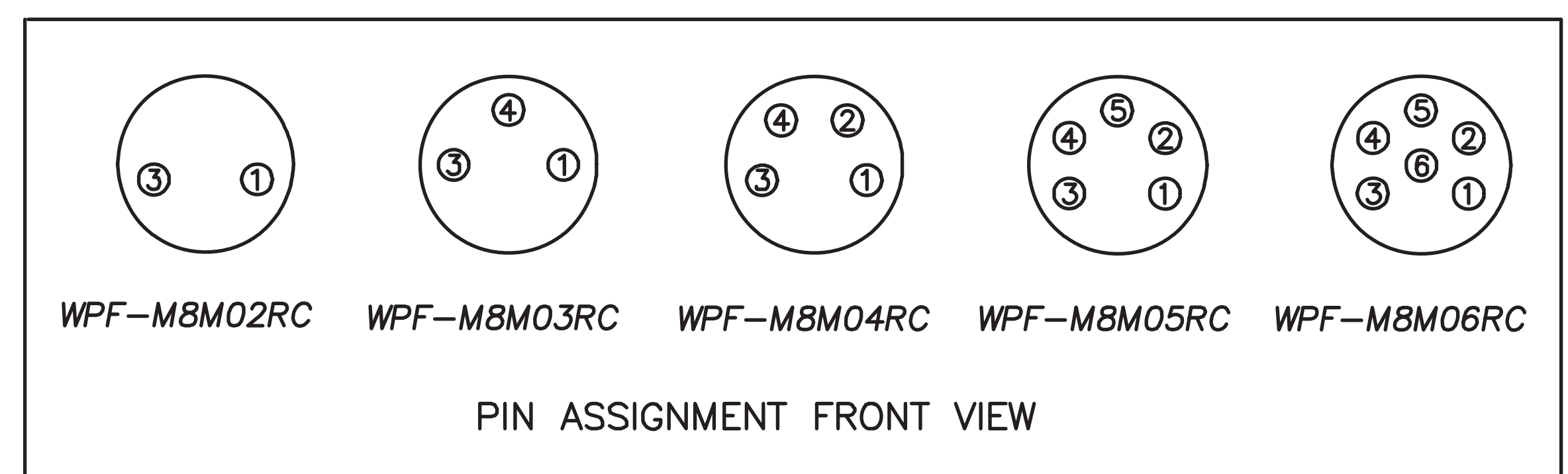
**CUSTOMER COPY**

**RoHS**



NOTES:  
 1.ELECTRICAL CHARACTERISTICS;  
 CURRENT RATING: 2A/5A  
 TEMPERATURE RANGE: -25°C TO +85°C  
 DIELECTRIC WITHSTANDING VOLTAGE:  
 500V AC FOR ONE MINUTE  
 2.HOW TO ORDER: WPF-M8-M-XX-X-X

P: PCB end  
 C: Cable end  
 V: Vertical  
 R: Right angle  
 02-2PIN  
 03-3PIN  
 04-4PIN  
 05-5PIN  
 06-6PIN



NO.	PART NAME	DESCRIPTION	COLOR	Q'TY	REMARKS
4	RING NUT	BRASS,NICKEL PLATED,with ratchet mechanism without sleeve		1	
3	O-RING	VITON	BLACK	1	
2	CONTACT	BRASS,6u"Gold plated.Female Contact.		N	
1	CONNECTOR	M8 Femal connector insert	BLACK	1	

Drawing is subject to change without notice. Any updated information required, please contact with our sales dept.

<b>ElectronicLinks</b> international inc		UNLESS OTHERWISE NOTED: DIMENSIONS IN MM		<b>M8 Female R/A Molded Cable Assembly</b>	
THIS DOCUMENT SHALL NOT BE REPRODUCED, NDR SHALL THE INFORMATION CONTAINED HEREIN BE USED OR DISCLOSED TO OTHERS EXCEPT AS AUTHORIZED IN WRITING BY ELECTRONIC LINKS INTERNATIONAL, INC.		MATERIAL: AS NOTED			
DESIGNED BY: SDR 02JUN05		FINISH: AS NOTED		SIZE	REV LEVEL
CHECKED BY: XXX DD/MM/YY		LINEAR: XXX = ±0.1 XXX = ±0.05 X.XXX = ±0.025 X.XXXX = ±0.0125		C	A
APPROVED BY: XXX DD/MM/YY		EDGE/CORNER BREAKS		PART N	
		ANGLES ± 0.2°		ELII A07100	
		OUTSIDE MAX. 0.5		SCALE	NONE
		INSIDE MAX. 0.15		SHEET 1 of 1	