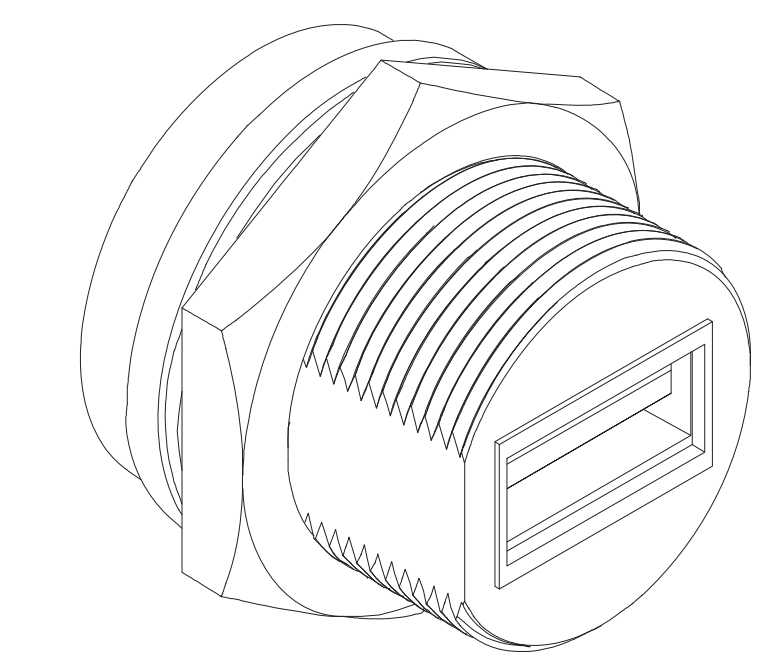
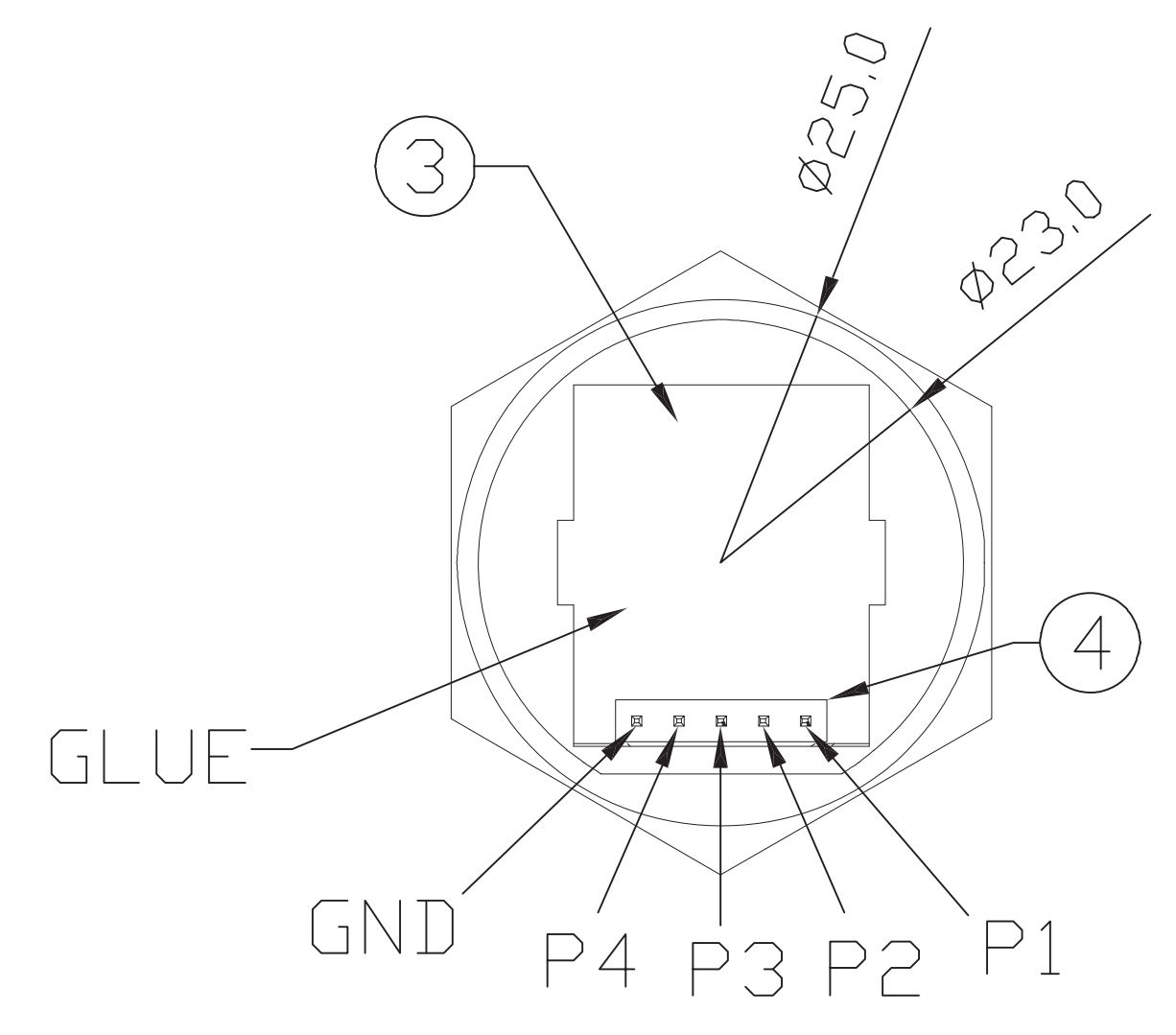
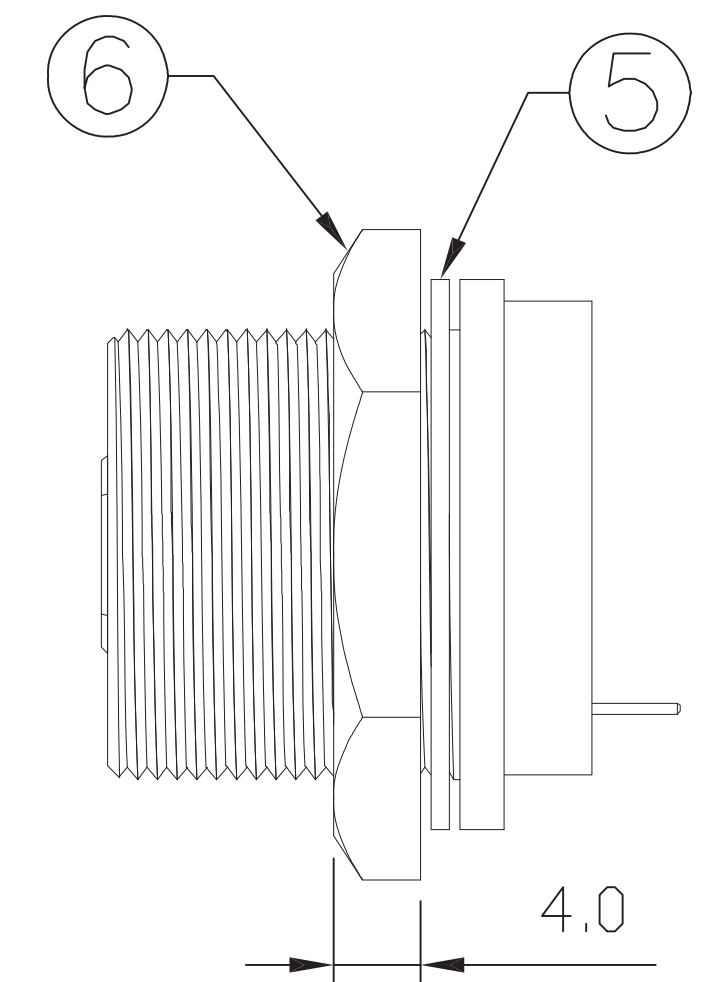
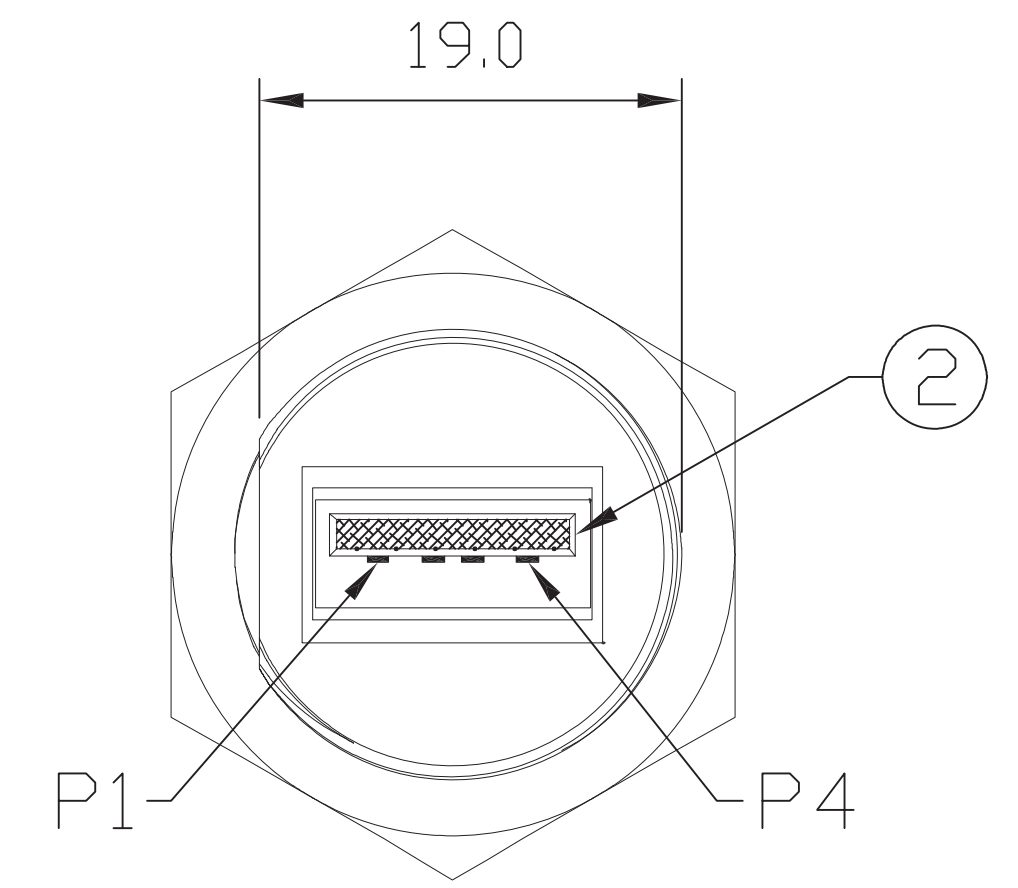
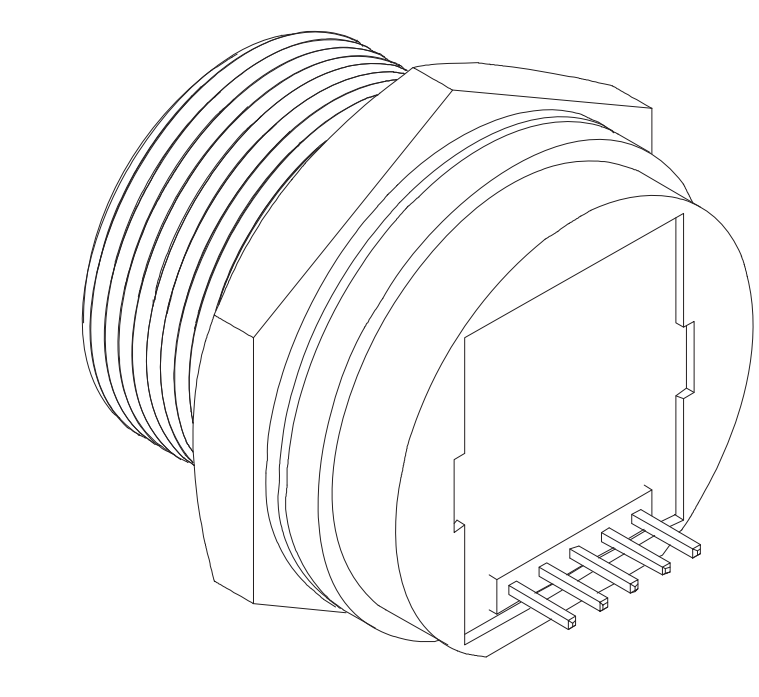
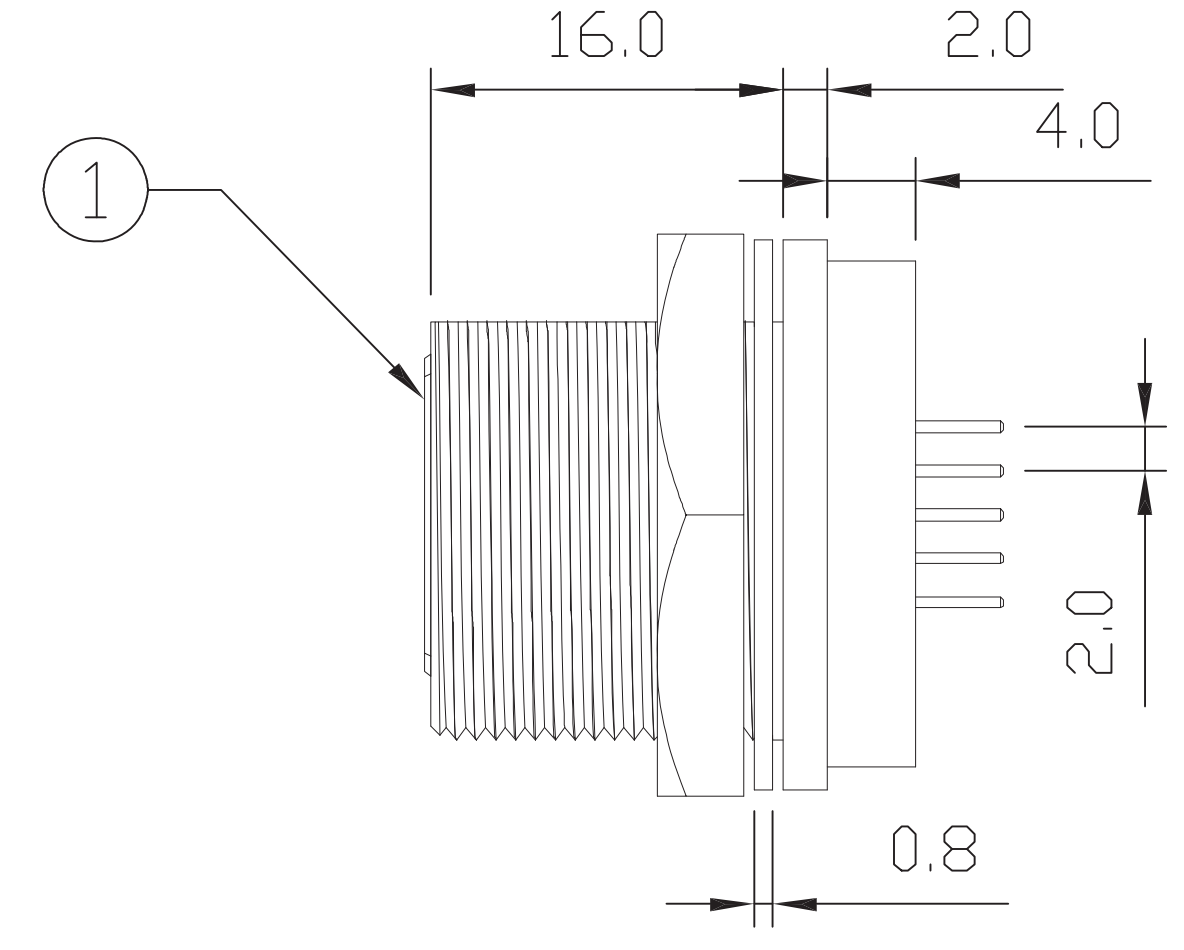
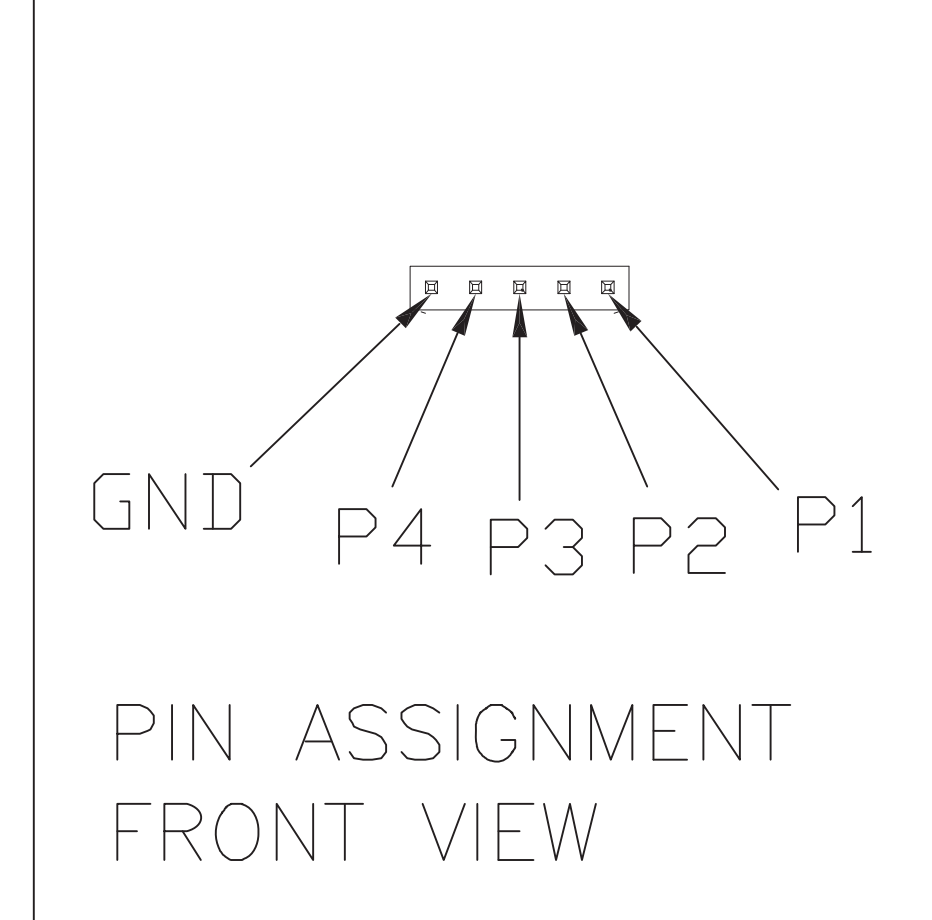
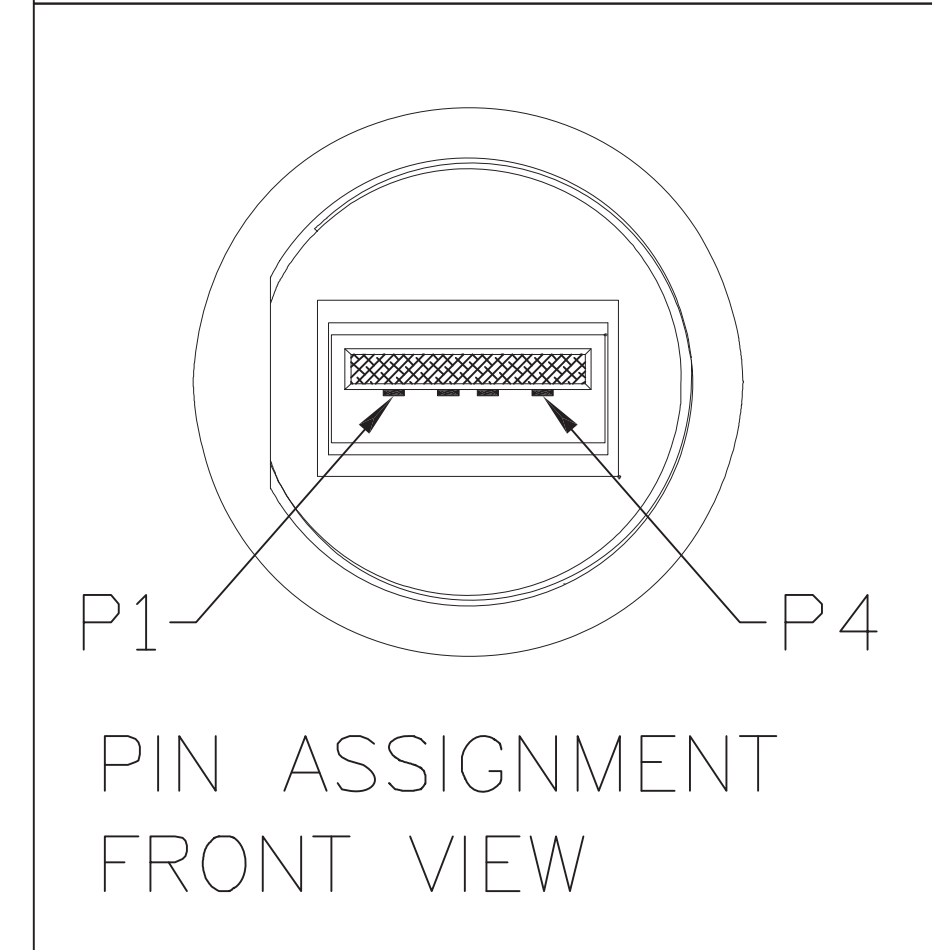
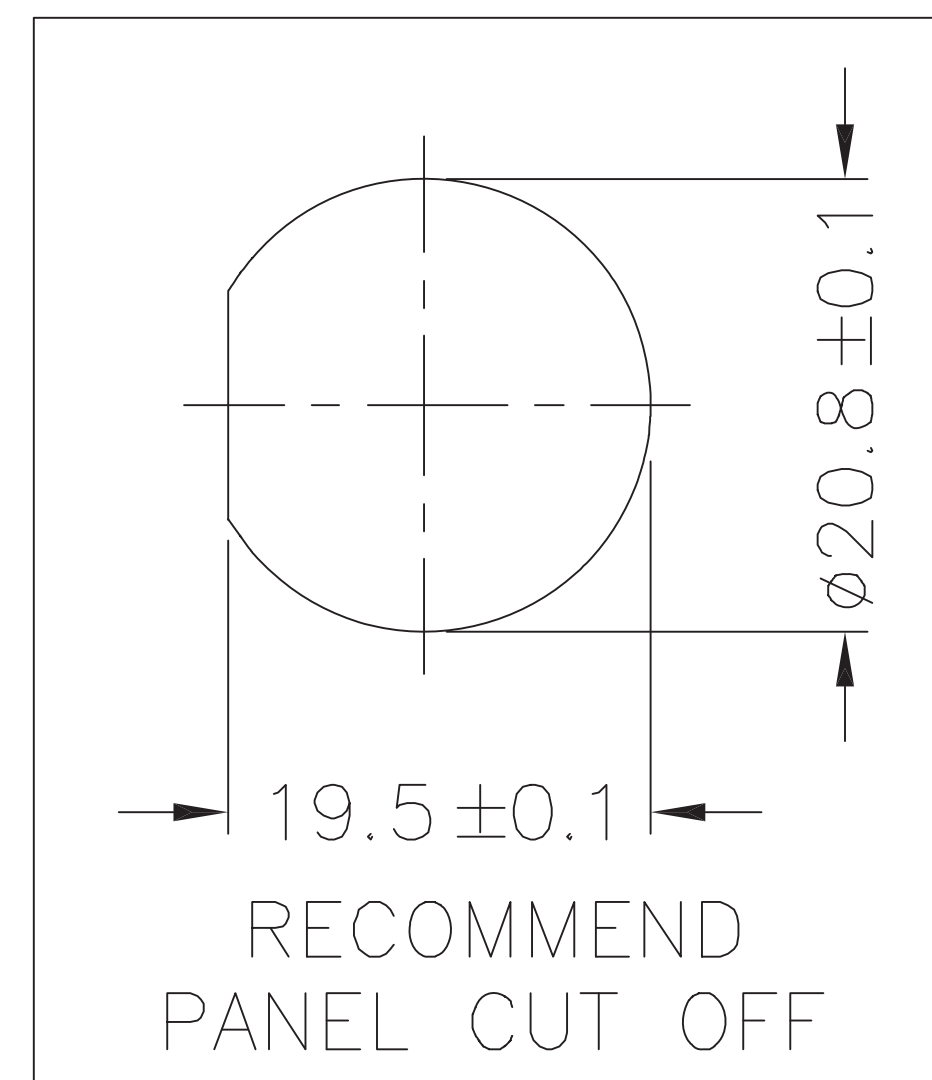


REV	ECN	DESCRIPTION	DATE	DRAWN	APPROVED
1		Initial Release	03-10-13	jld	FLiburdi

CUSTOMER COPY

RoHS



6	HEX NUT	NYLON+GF.	BLACK	1	RJ45CUSB-NUT
5	GASKET	EPDM.	BLACK	1	CCA-G
4	PIN HEADER	PITCH 2.0mm, STRAIGHT ANGLE 5P*1ROW	BLACK	1	
3	PCB	FR4 DOUBLE SIDE 1.0mm THICKNESS.		1	USBABF-PCB
2	CONNECTOR	USB A TYPE FEMALE CONNECTOR		1	
1	BODY	USB A TYPE FEMALE CONNECTOR BODY. NYLON+GF	BLACK	1	USBAC-PC
NO.	PART NAME	DESCRIPTION	COLOR	Q'TY	REMARKS

Drawing is subject to change without notice. Any updated information required, please contact with our sales dept.

ElectronicLinks
international inc

THIS DOCUMENT SHALL NOT BE REPRODUCED, NDR SHALL THE INFORMATION CONTAINED HEREIN BE USED OR DISCLOSED TO OTHERS EXCEPT AS AUTHORIZED IN WRITING BY ELECTRONIC LINKS INTERNATIONAL, INC.

DESIGNED BY: SDR 02JUN05
CHECKED BY: XXX DD/MM/YY
APPROVED BY: XXX DD/MM/YY

UNLESS OTHERWISE NOTED: DIMENSIONS IN MM	
MATERIAL:	AS NOTED
FINISH:	AS NOTED
LINEAR	XX = ±0.1 XXX = ±0.05 XXXX = ±0.025 XXXXX = ±0.0125
ANGLES ±	0.2°
EDGE / CORNER BREAKS	OUTSIDE MAX. 0.5 INSIDE MAX. 0.15

USB A-Type Connector			
SIZE	REV LEVEL	PART N	ELII A07092
C	A		
SCALE	NONE	SHEET	1 of 1