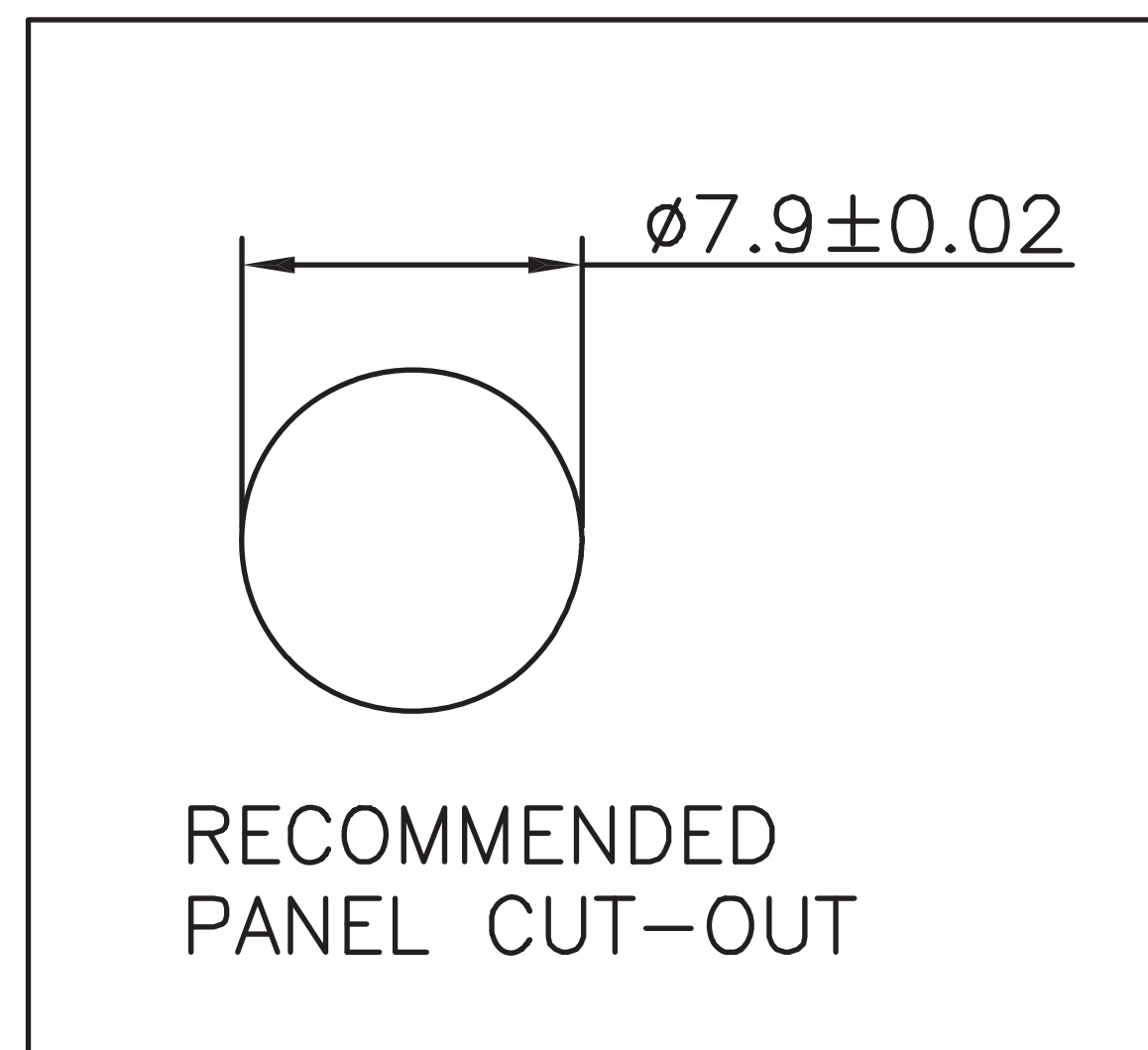
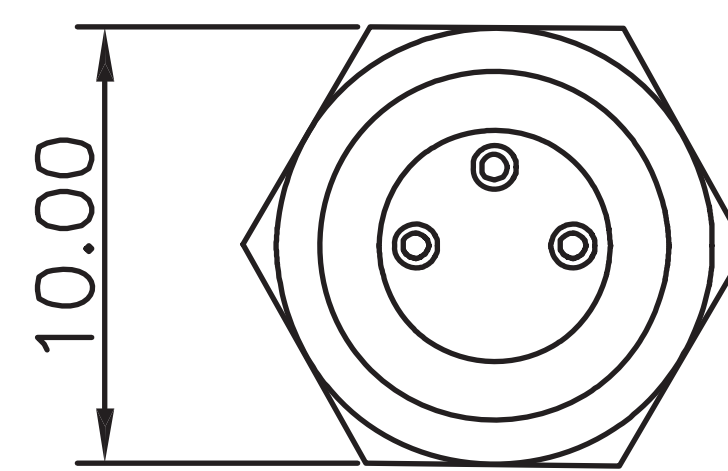
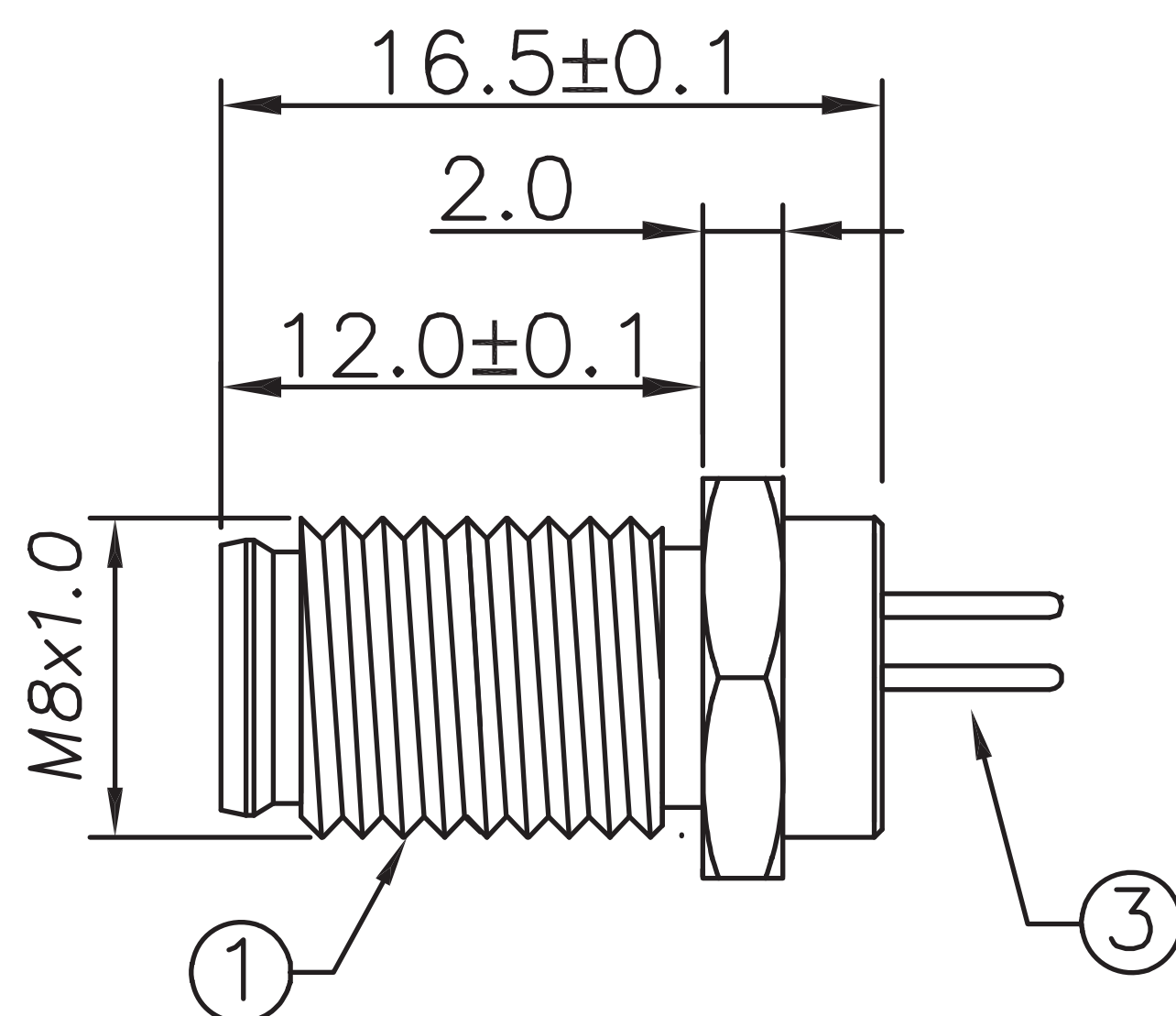
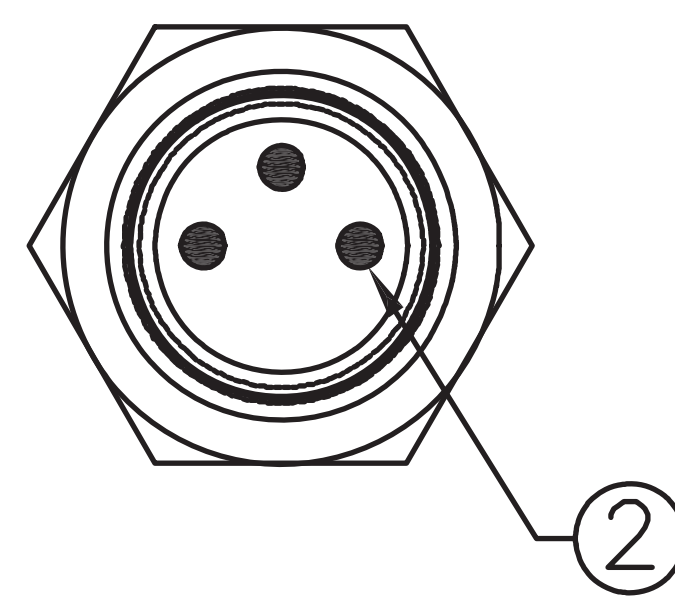


REV	ECN	DESCRIPTION	DATE	DRAWN	APPROVED
1		Initial Release	03-10-13	jld	FLiburdi

**CUSTOMER COPY**

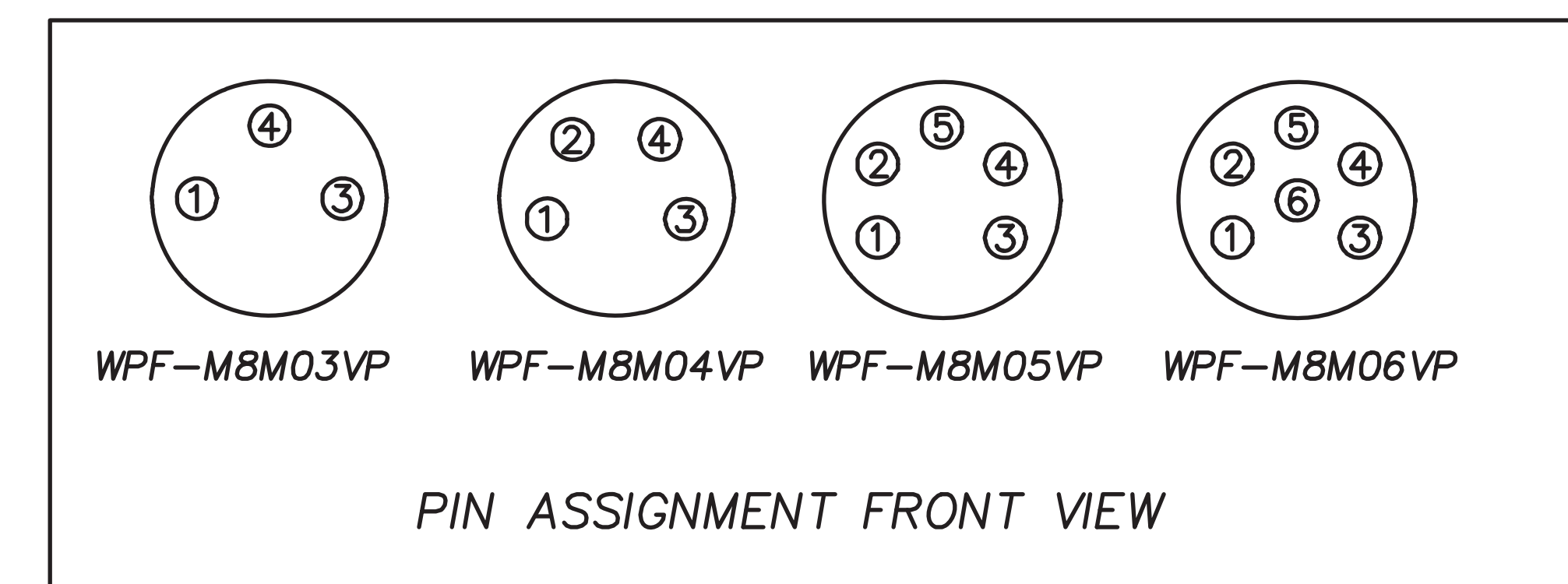
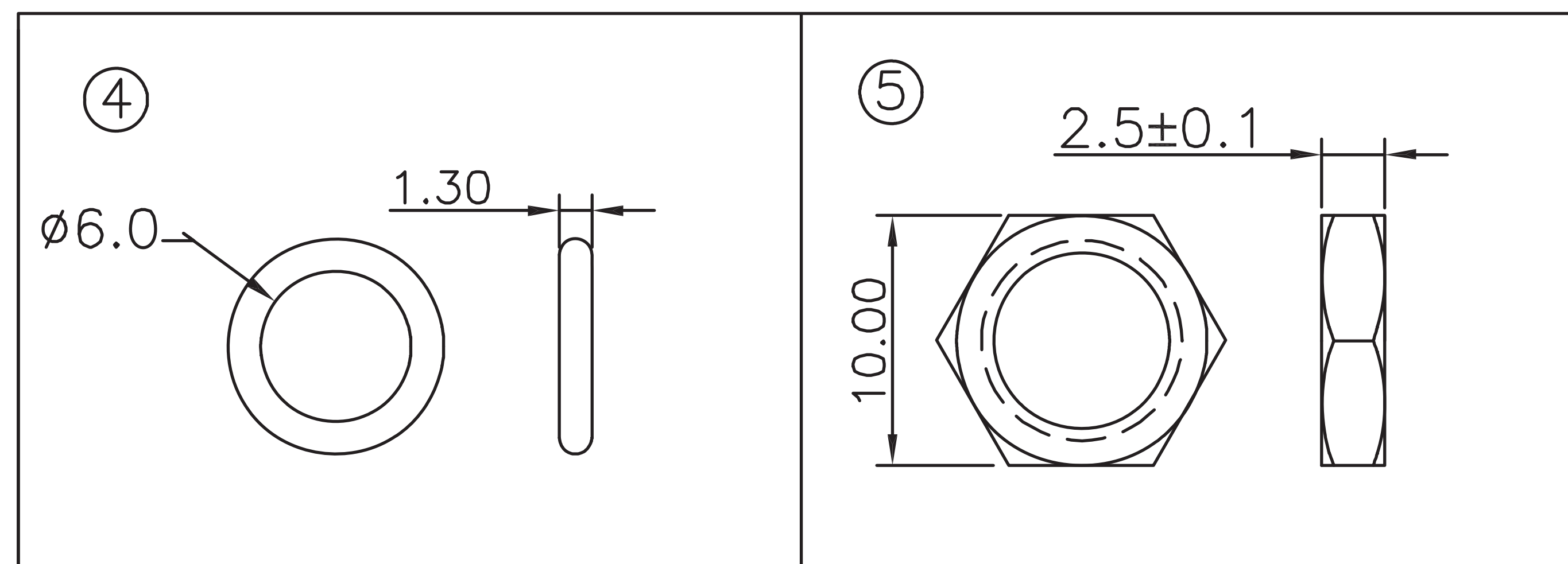


**RoHS**



NOTES:  
1.ELECTRICAL CHARACTERISTICS:  
CURRENT RATING: 2A/5A  
TEMPERAT JRE RANGE: -25°C TO +90° C  
DIELECTRIC WITHSTANDING VOLTAGE:  
500V AC FOR ONE MINUTE  
2.HOW TO ORDER: WPF-M8-M-XX-X-X

P: PCB end  
C: Cable end  
V: Vertical  
R: Right angle  
03-3PIN  
04-4PIN  
05-5PIN  
06-6PIN



NO.	PART NAME	DESCRIPTION	COLOR	Q'TY
5	HEX NUT	BRASS,NICKEL PLATED		1
4	O-RING	SILICON, $\phi 6.0 \times 1.3mm$	D.GREY	1
3	PIN CONTACT	BRASS, Male PIN, GOLD PLATED 6u"		N
2	Connector Body	M8 Male connector insert, NYLON+FG	BLACK	1
1	SHELL	BRASS,NICKEL PLATED.		1

Drawing is subject to change without notice. Any updated information required, please contact with our sales dept.

<b>ElectronicLinks</b> international inc		UNLESS OTHERWISE NOTED: DIMENSIONS IN MM	
THIS DOCUMENT SHALL NOT BE REPRODUCED, NDR SHALL THE INFORMATION CONTAINED HEREIN BE USED OR DISCLOSED TO OTHERS EXCEPT AS AUTHORIZED IN WRITING BY ELECTRONIC LINKS INTERNATIONAL, INC.		MATERIAL: AS NOTED	
DESIGNED BY: SDR	02JUN05	FINISH: AS NOTED	ANGLES ± 0.2°
CHECKED BY: XXX	DD/MM/YY	LINEAR XXX = ±0.1 X.XXX = ±0.05 X.XXXX = ±0.025 X.XXXXX = ±0.0125	EDGE/ CORNER BREAKS
APPROVED BY: XXX	DD/MM/YY	OUTSIDE MAX. 0.5	INSIDE MAX. 0.15

<b>M8 A-Code Male Metal PCB Type Panel Mount Connector</b>			
SIZE C	REV LEVEL A	PART N	ELII A07091
SCALE NONE		SHEET	1 of 1