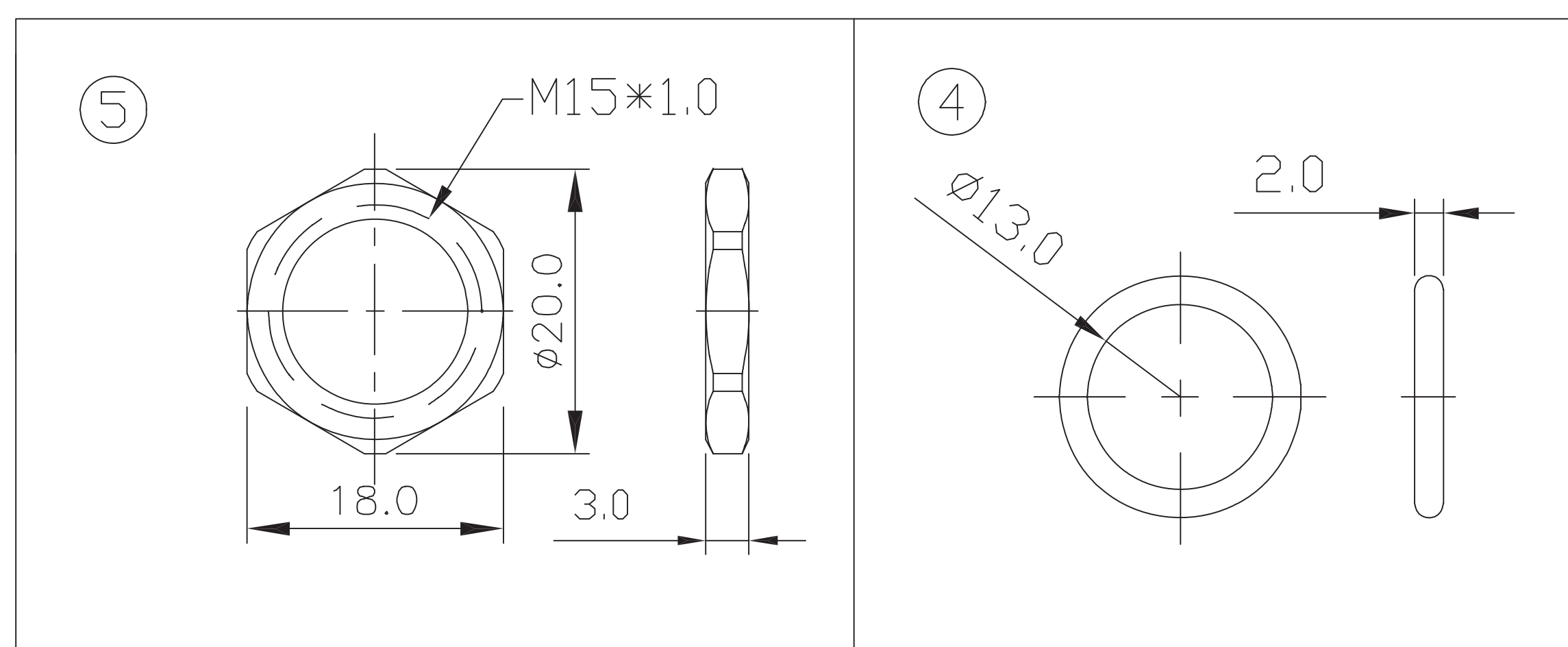
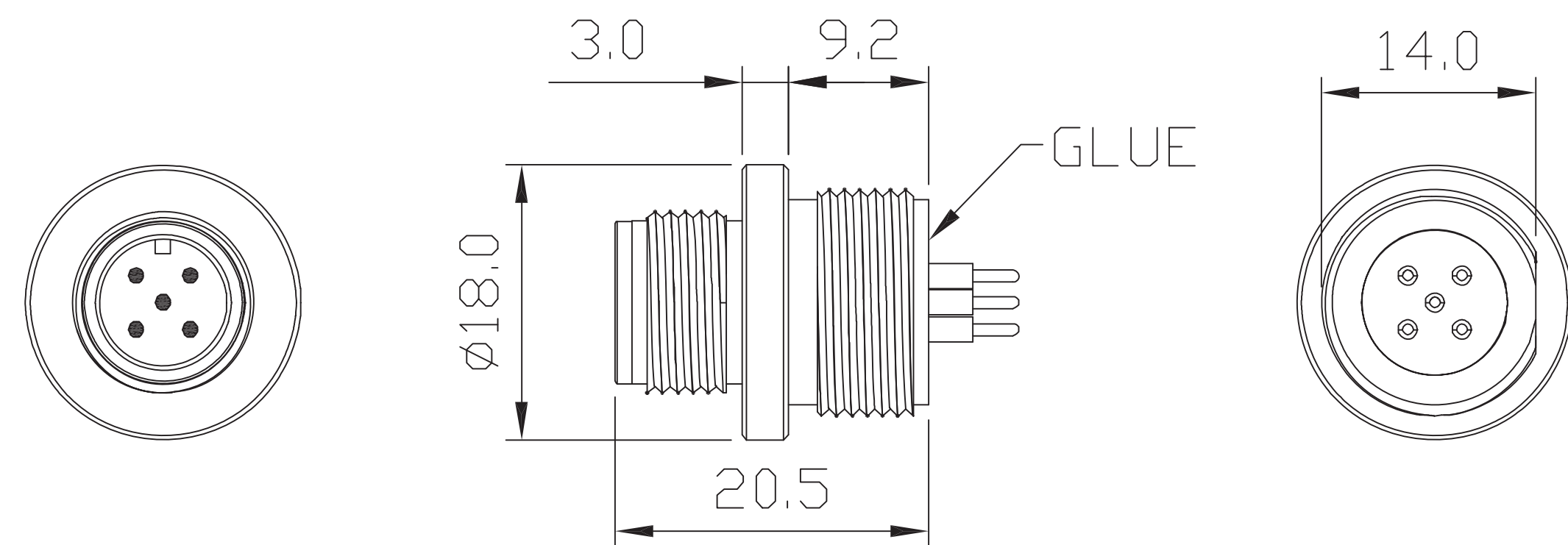
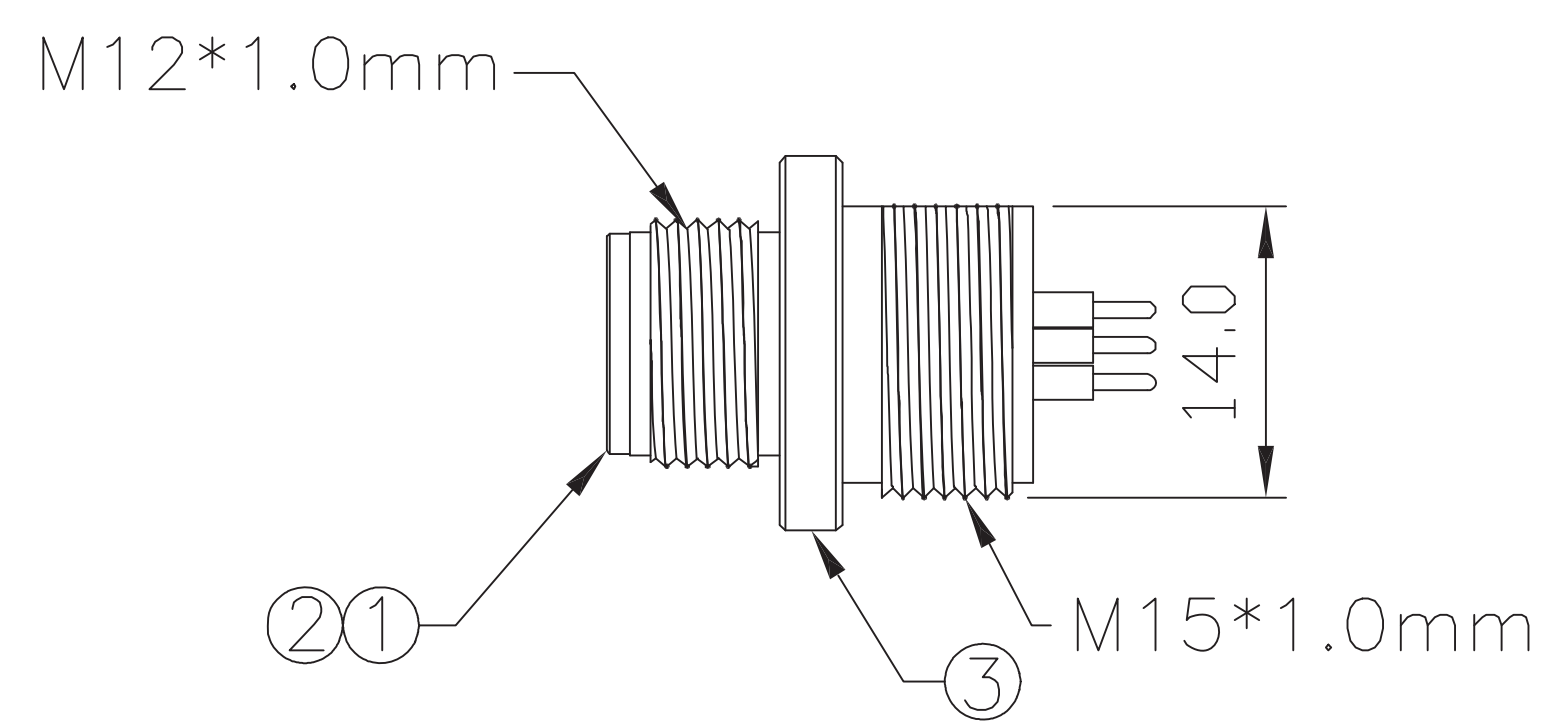
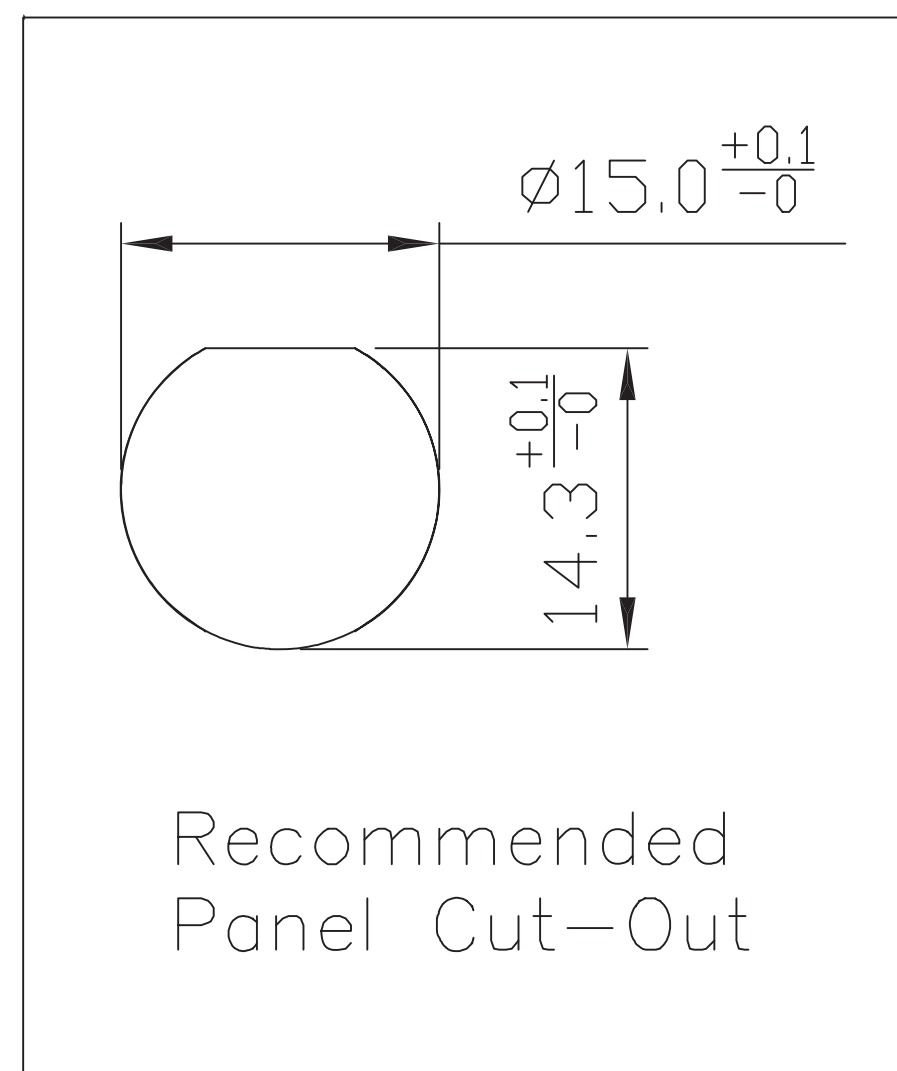


REV	ECN	DESCRIPTION	DATE	DRAWN	APPROVED
1		Initial Release	03-10-13	jld	FLiburdi

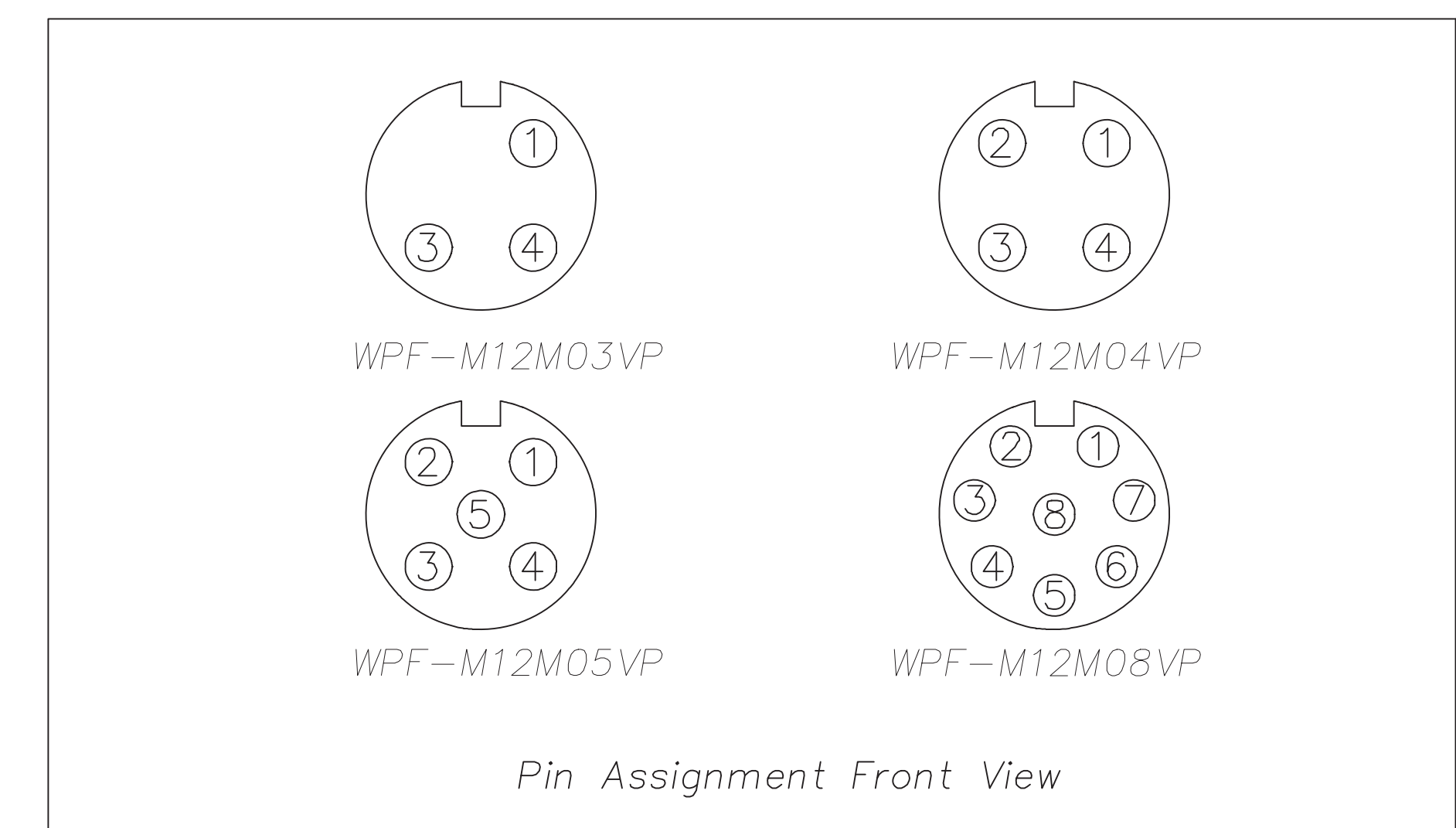
CUSTOMER COPY

RoHS



NOTES:
 1. ELECTRICAL CHARACTERISTICS;
 CURRENT RATING: 2A/5A
 TEMPERATURE RANGE: -25°C TO +85°C
 DIELECTRIC WITHSTANDING VOLTAGE:
 500V AC FOR ONE MINUTE
 2 HOW TO ORDER: WPF-M12-M-XX-X-X

P: PCB end
 C: Cable end
 V: Vertical
 R: Right angle
 03-3PIN
 04-4PIN
 05-5PN
 08-8PIN



6	GLUE.	GLUE.	BLACK	1	
5	HEX NUT	BRASS,NICKEL PLATED.		1	
4	O-RING	SILICON	BROWN	1	
3	HOUSING	BRASS,NICKEL PLATED.		1	
2	CONTACT	BRASS,6u"Gold plated.Male Contact.		N	
1	CONNECTOR	M12 A-Coding Male connector insert	BLACK	1	
NO.	PART NAME	DESCRIPTION	COLOR	Q'TY	REMARKS

Drawing is subject to change without notice. Any updated information required, please contact with our sales dept.

ElectronicLinks
international inc

THIS DOCUMENT SHALL NOT BE REPRODUCED, NOR SHALL THE INFORMATION CONTAINED HEREIN BE USED OR DISCLOSED TO OTHERS EXCEPT AS AUTHORIZED IN WRITING BY ELECTRONIC LINKS INTERNATIONAL, INC.

DESIGNED BY: SDR 02JUN05
 CHECKED BY: XXX DD/MM/YY
 APPROVED BY: XXX DD/MM/YY

UNLESS OTHERWISE NOTED:
 DIMENSIONS IN MM
 MATERIAL: AS NOTED
 FINISH: AS NOTED
 LINEAR: XXX = ±0.1
 XXX = ±0.05
 XXXX = ±0.025
 XXXXX = ±0.0125
 ANGLES ± 0.2°
 EDGE/CORNER BREAKS
 OUTSIDE MAX. 0.5
 INSIDE MAX. 0.15

M12 A-Coding Male PCB Pin Front Mount Round Flange Pane Connector

SIZE	REV LEVEL	PART N
C	A	ELII A07090
SCALE	NONE	SHEET 1 of 1