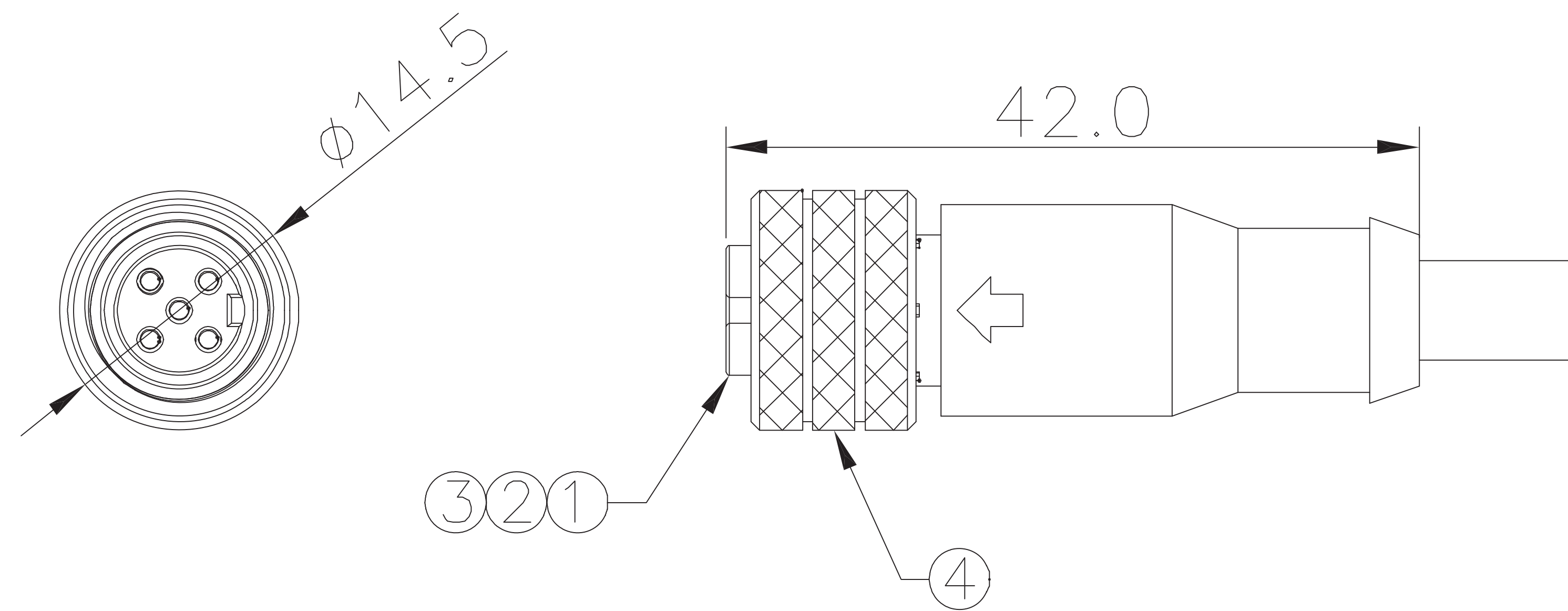


REV	ECN	DESCRIPTION	DATE	DRAWN	APPROVED
1		Initial Release	03-10-13	jld	FLiburdi

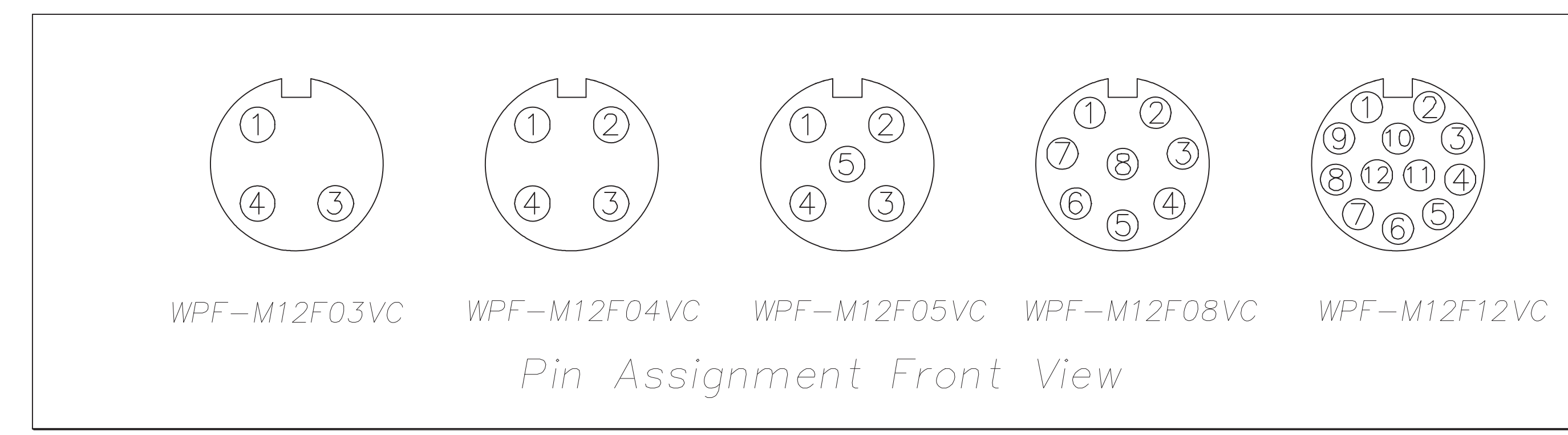
**CUSTOMER COPY**

**RoHS**



NOTES:  
 1. ELECTRICAL CHARACTERISTICS;  
 CURRENT RATING: 2A/5A  
 TEMPERATURE RANGE: -25°C TO +85°C  
 DIELECTRIC WITHSTANDING VOLTAGE:  
 500V AC FOR ONE MINUTE  
 2. HOW TO ORDER: WPF-M12-F-XX-X-X

P: PCB end  
 C: Cable end  
 V: Vertical  
 R: Right angle  
 03-3PIN  
 04-4PIN  
 05-5PIN  
 08-8PIN  
 12-12PIN



NO.	PART NAME	DESCRIPTION	COLOR	Q'TY	REMARKS
4	RING NUT	BRASS,NICKEL PLATED		1	
3	O-RING	VITON	BLACK	1	
2	CONTACT	BRASS,Female pin,6u"Gold plated.		N	
1	CONNECTOR	M12 Female connector insert	BLACK	1	

Drawing is subject to change without notice. Any updated information required, please contact with our sales dept.

	UNLESS OTHERWISE NOTED: DIMENSIONS IN MM		<b>M12 A-Coding Female Mod Cable Assembly</b>	
	MATERIAL: AS NOTED			
	FINISH: AS NOTED			
<small>THIS DOCUMENT SHALL NOT BE REPRODUCED, NDR SHALL THE INFORMATION CONTAINED HEREIN BE USED OR DISCLOSED TO OTHERS EXCEPT AS AUTHORIZED IN WRITING BY ELECTRONIC LINKS INTERNATIONAL, INC.</small>		LINEAR XXX = ±0.1 XXXX = ±0.05 XXXX = ±0.025 XXXXX = ±0.0125	ANGLES ± 0.2° OUTSIDE MAX. 0.5 INSIDE MAX. 0.15	SIZE C REV LEVEL A SCALE NONE SHEET 1 of 1
DESIGNED BY: SDR	02JUN05	PART N		ELII A07089
CHECKED BY: XXX	DD/MM/YY	SHEET		1 of 1
APPROVED BY: XXX	DD/MM/YY	SHEET		1 of 1